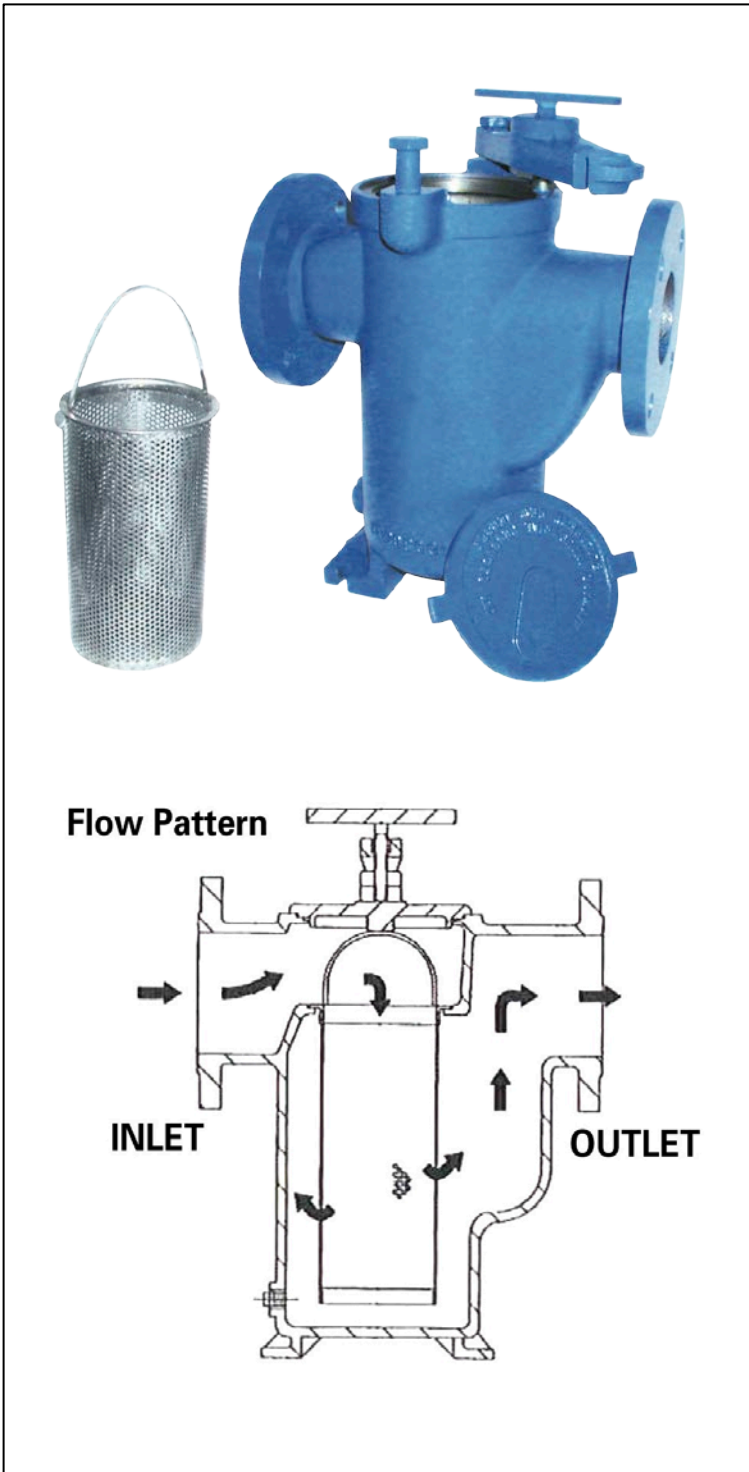


Read all the following information and instructions prior to installing and operating the equipment.  
Failure to comply with these instructions could result in bodily injury or property damage.



**TABLE OF CONTENTS**

	Page No.
Introduction .....	1
Receiving, Handling & Inspection .....	2
Installation .....	2
Operation .....	3
Shut-Down .....	3
Basket Removal .....	3
Basket Replacement .....	4
Basket Cleaning .....	4
Recommended Spare Parts .....	4
Exploded Parts Drawing .....	4

**INTRODUCTION**

A simplex strainer is a device installed in a pipeline to remove dirt and other unwanted debris from fluids. Straining is accomplished by directing the fluid through sized openings in a basket. Simplex strainers are installed where fluid flow can be interrupted while the basket is removed for cleaning. Simplex strainers are designed to withstand the rated pressure of the piping system.

For additional information regarding Simplex Basket Strainers visit our website at [www.eaton.com/filtration](http://www.eaton.com/filtration)

### RECEIVING, HANDLING, AND INSPECTION

Inspect strainer after unpacking for damage incurred during transit. Report any damage to the carrier immediately. If the strainer is not to be installed immediately, store indoors in a clean, dry environment.

Remove preservative with a solvent dampened cloth. Exercise care when using solvent.

#### Model 72 Simplex

Size	Material	End Connection	Seals	Pressure Rating
3/8" to 3"	Iron and Bronze	Threaded	Buna-N	200 psi @ 100°F
1" to 3"	Carbon Steel	Threaded	Buna-N	200 psi @ 100°F
1" to 3"	Stainless Steel	Threaded	Viton®	200 psi @ 100°F
1" to 8"	Iron	Flanged 125#	Buna-N	200 psi @ 100°F
1" to 8"	Bronze	Flanged 150#	Buna-N	200 psi @ 100°F
1" to 8"	Carbon Steel	Flanged 150#	Buna-N	200 psi @ 100°F
1" to 8"	Stainless Steel	Flanged 150#	Viton®	200 psi @ 100°F

Check to be sure the rated pressure and temperature on the strainer nameplate is not less than the maximum pressure and temperature of the installation. The rated pressure shown on the nameplate is the maximum pressure, including shock, at which the strainer may be operated.

Remove cover by turning T-bolt counterclockwise to release yoke, swing yoke clear of cover and remove cover. Check for and remove any foreign or loose materials that could be carried downstream when fluid is introduced into the strainer.

Replace strainer cover and yoke and tighten T-bolt. The basket is held in place by pressure of the cover on the basket handle. If the basket is loose, spring the handle to a higher position to insure greater compression when the cover is seated.

### INSTALLATION

Position the strainer in the line so that the fluid enters the connection marked "inlet."



**CAUTION:** Lift strainers with slings under the inlet and outlet connections. **DO NOT** lift the strainer by the yoke screw located on the strainer cover.

Be sure sufficient headroom is provided for easy removal of cover and basket.

Support the strainer in the line as follows:

#### 4" size or under:

Use pipe supports under the process piping near inlet and outlet connections. Use care to prevent bending and expansion forces from acting on the nozzles.

#### 5" size or larger:

Support on concrete or steel pads.

Connect the strainer to the line. Use same type flange faces. For example: **Do not** bolt raised face flanges to iron flat face flanges. Iron flanges must be flat face with full face gaskets.

Cast strainers are subject to face-to-face variations due to shrinkage and machining tolerances.

Prefabricated piping systems must allow adjustment at the strainer connection.

If strainer has threaded connections follow proper threaded specifications. If strainer has weld connection follow proper ANSI weld specifications.

Be sure flange gaskets are in place and fasteners are tight.

## INSTALLATION (CONTINUED)

It is recommended that the bottom drain plug be removed and a drain valve be installed at the bottom of the basket chamber for strainers sized 1" and 1-1/2" flanged connections and for strainers sized 3/8" – 3" threaded connections. It is recommended that the side drain plug be removed and a drain valve be installed at the side of the basket chamber for strainers sized 2" – 8" flanged connections as shown in Fig. 1.



**CAUTION:** The bottom plug for flanged strainers, sized 2" through 8" is NOT to be removed and the opening NOT to be used for draining. Removal of this bottom plug voids the strainer warranty.



**CAUTION:** A vent is required when fluids other than water and with temperatures in excess of 120° F are to be handled by the strainer. The vent must be piped to a safe discharge point to protect the operator. (See Fig.2). Wear protective clothing, which includes gloves, vests, and goggles when handling dangerous fluids.

Pressure gauges near the strainer inlet and outlet are recommended. Cleaning frequency is determined by the pressure drop across the strainer.

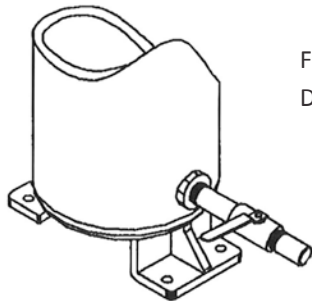


Figure 1  
Drain Valve

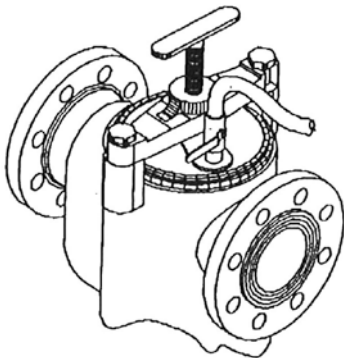


Figure 2  
Vent Piping

## OPERATION

Open vent, if strainer is so equipped (See Fig. 2), to expel air from the strainer.

Slowly introduce fluid to be strained by opening the outlet valve first, followed by opening the inlet valve.



**CAUTION:** Start system GRADUALLY. This eliminates sudden shock to the strainer and other equipment in the line.

Close the vent when air is expelled and fluid begins to flow.

## SHUT-DOWN

Tightly close valves on the inlet and outlet connections or the strainer. Open vent (See Fig. 2) and/or drain valve (See Fig.1) to relieve liquid pressure in the strainer.



**CAUTION:** DO NOT loosen cover while there is liquid or air flow from the vent.

## BASKET REMOVAL

Follow shut-down procedure.

When pressure is relieved, loosen T-bolt. Drain fluid through bottom drain to a level below the basket seat.

Swing yoke clear of cover and remove cover and dirty basket.

### BASKET REPLACEMENT

Place new or clean basket squarely on the basket seat. Be sure basket handle is sufficiently high to be compressed by strainer cover.

Inspect O-ring and seal surface: Clean seat or replace cover O-ring as necessary. Always keep spare O-rings in stock.

Replace cover, swing the yoke over the cover and make full contact with the yoke stud. Tighten the center T-bolt. If strainer is on suction service, fill basket chamber from outside source before installing cover.

Follow start-up procedure.

### BASKET CLEANING

#### When to Clean

Clean basket when there is a 5 psi increase in pressure loss across the strainer.



**CAUTION:** To prevent damage to basket, DO NOT permit strainer pressure differential between inlet and outlet connections to exceed 20 psi.

#### How to Clean

Invert basket and wash out debris by directing a stream of air or water against the basket exterior. Use solvent if strained fluid is fuel or a chemical. Follow manufacturer's instruction when using a solvent to clean the basket.



**NOTE:** Do not allow basket contents to dry as this will make cleaning most difficult.

Inspect basket at each cleaning for holes or tears and replace as required.

### SHUT-DOWN PERIODS

During shut-down periods drain the fluid and clean the basket.

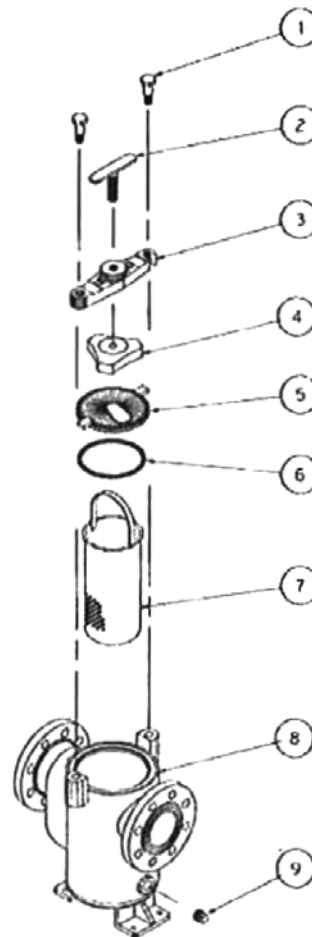
### RECOMMENDED SPARE PARTS

- 1 Eaton Replacement Basket
- 1 Eaton Replacement O-Ring

When ordering spare parts, specify all nameplate data as well as the description and quantity of parts.

Always use genuine Eaton replacement parts for guaranteed fit and performance.

Visit our web site, [www.filtration.eaton.com](http://www.filtration.eaton.com) for information about the hundreds of different types of Eaton Simplex Basket Strainers.



Item	Description
1	YOKE STUD
2	T-BOLT ASSEMBLY
3	YOKE
4	COVER CLAMP (sizes 4" to 6" only)
5	COVER
6	O-RING
7	BASKET
8	BODY
9	PIPE PLUG

**North America**  
44 Apple Street  
Tinton Falls, NJ 07724  
Toll Free: 800 656-3344  
(North America only)  
Tel: +1 732 212-4700

**Europe/Africa/Middle East**  
Auf der Heide 2  
53947 Nettersheim, Germany  
Tel: +49 2486 809-0

Friedensstraße 41  
68804 Altlußheim, Germany  
Tel: +49 6205 2094-0

An den Nahewiesen 24  
55450 Langenlonsheim, Germany  
Tel: +49 6704 204-0

**China**  
No. 3, Lane 280,  
Linhong Road  
Changning District, 200335  
Shanghai, P.R. China  
Tel: +86 21 5200-0099

**Singapore**  
4 Loyang Lane #04-01/02  
Singapore 508914  
Tel: +65 6825-1668

**Brazil**  
Av. Julia Gaioli, 474 – Bonsucesso  
07251-500 – Guarulhos, Brazil  
Tel: +55 11 2465-8822

**For more information, please  
email us at [filtration@eaton.com](mailto:filtration@eaton.com)  
or visit [www.eaton.com/filtration](http://www.eaton.com/filtration)**

EN  
2-2016

© 2016 Eaton. All rights reserved. All trademarks and registered trademarks are the property of their respective owners. All information and recommendations appearing in this brochure concerning the use of products described herein are based on tests believed to be reliable. However, it is the user's responsibility to determine the suitability for his own use of such products. Since the actual use by others is beyond our control, no guarantee, expressed or implied, is made by Eaton as to the effects of such use or the results to be obtained. Eaton assumes no liability arising out of the use by others of such products. Nor is the information herein to be construed as absolutely complete, since additional information may be necessary or desirable when particular or exceptional conditions or circumstances exist or because of applicable laws or government regulations.