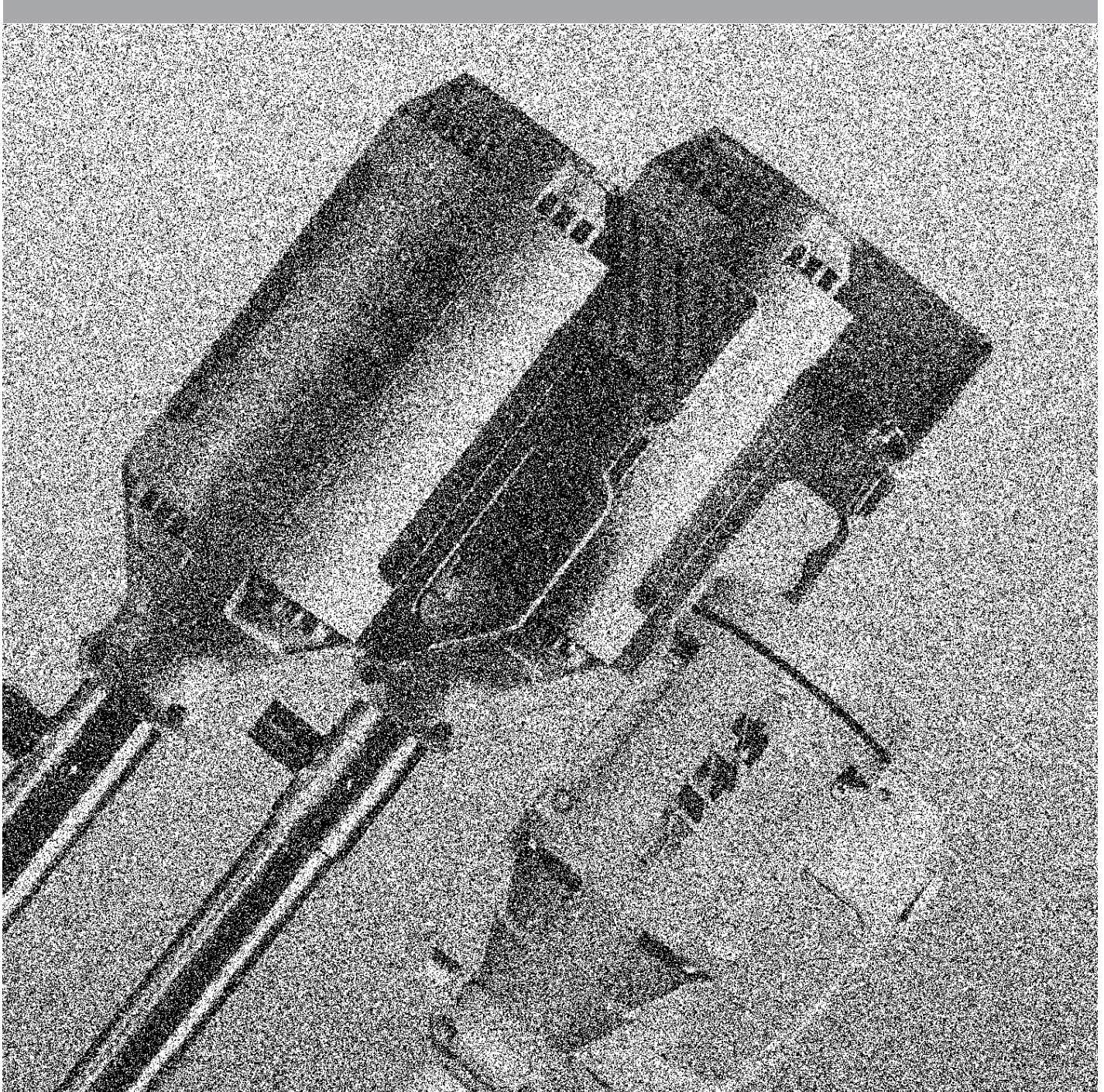




FINISH THOMPSON INC.

OPERATION AND PARTS MANUAL

DRUM PUMP MOTORS



Models: M3 M5 M3T M3X M5T M5X M6 M6X M7T M7X M10X M15-M40 M58P M59P



FINISH THOMPSON INC.

921 Greengarden Road • Erie, PA 16501-1591 U.S.A.
Ph 814-455-4478 • Fax 814-455-8518
Email fti@finishthompson.com • www.finishthompson.com

EU Declaration of Conformity



Finish Thompson Inc. hereby declares that the following electrical equipment fully complies with the applicable health and safety requirements as specified by the EU directives listed. The product may not be taken into service until it has been established that the driven Drum and Container Pump complies with the provisions of all relevant EU Directives provided pumps manufactured by Finish Thompson are used.

This declaration is valid provided that the devices are fully assembled and no modifications are made to these devices.

Type of Device:

Electric Motors for Driving Drum
and Container Pumps

Models:

M3V-UK M5 M5T M5V M5X M10X
M13 M59P M59H S2 S3

EU Directives (and their applicable amendments):

Low Voltage (2014/35/EU)
Electromagnetic Compatibility (2014/30/EU)

Specific standards applied:

EN 60335-1 EN60335-2-41
EN 55014-1 EN 55014-2
EN 60529

Signed,

Casey D. Bowes
CEO and President

20 April 2016

Person(s) Authorized to Compile Technical File: Finish Thompson GmbH
Otto-Hahn-Strasse 16
Maintal, D-63477 DEU
Telephone: 49 (0)6181-90878-0



FINISH THOMPSON INC.

921 Greengarden Road • Erie, PA 16501-1591 U.S.A.
Ph 814-455-4478 • Fax 814-455-8518
Email fti@finishthompson.com • www.finishthompson.com

EU DECLARATION OF CONFORMITY

Finish Thompson Inc. hereby declares that the following machines fully comply with the applicable health and safety requirements as specified by the EU Directives listed. This declaration is valid provided that the devices are fully assembled and no modifications are made to these machines.

Type of Device:
Pump Motor

Pump Motor Models:
M10X

EU Directives:
Equipment and protective systems intended for use in potentially
explosive atmospheres (2014/34/EU)

EC-Type Examination:
Physical Technical Testing Institute 1026
Ostrava-Radvanice
FTZU 08 ATEX 0083X

Product Quality Assurance Notification:
Physical Technical Testing Institute 1026
Ostrava-Radanice
FTZU 08 ATEX Q 003

Applicable Harmonized Standards:
EN 60079-0:2012
EN 60079-1:2014

Casey D. Bowes
CEO and President
April 20, 2016

TABLE OF CONTENTS

TABLA DE CONTENIDO

Introduction.....	6
Warranty and Return Policy	6
Safety Precautions.....	7
Maintenance Precautions	7
Installation.....	8
M3 & M5 Models	9
Assembly Drawing and Parts List	
M3T & M5T Models.....	10
Assembly Drawing and Parts List	
M7T Models.....	11
Assembly Drawing and Parts List	
M6 Model.....	12
Assembly Drawing and Parts List	
M6X Model.....	13
Assembly Drawing and Parts List	
M3X, M5X, M7X & M10X Models.....	14
BT Models	14
Assembly Drawing and Parts List	
M58P-M59P Models.....	15
Assembly Drawing and Parts List	
Static Protection Kit.....	16

Introducción	6
Garantía y Póliza de Devolución	6
Precauciones de Seguridad	7
Precauciones de Mantenimiento	7
Instalación.....	8
Modelos M3& M5	9
Dibujo de Armadura y Lista de Partes	
Modelos M3T & M5T.....	10
Dibujo de Armadura y Lista de Partes	
Modelos M7T.....	11
Dibujo de Armadura y Lista de Partes	
Modelo M6.....	12
Dibujo de Armadura y Lista de Partes	
Modelo M6X.....	13
Dibujo de Armadura y Lista de Partes	
Modelos M3X, M5X, M7X & M10X.....	14
Modelo BT	14
Dibujo de Armadura y Lista de Partes	
Modelos M58P, M59P.....	15
Dibujo de Armadura y Lista de Partes	
Guías para el Equipo de Protección Estático ...	17

INTRODUCTION

FTI has been an international designer and manufacturer of drum pumps and mixers for over twenty years. We make drum pump selection easy with our complete line of interchangeable motors and tubes. When properly installed and operated, your Finish Thompson drum pump or mixer will provide long, trouble free service.

WARRANTY

Finish Thompson, Inc (manufacturer) warrants this product to be free of defects in materials and workmanship for a period of one year from date of purchase by original purchaser. If a warranted defect, which is determined by manufacturer's inspection, occurs within this period, it will be repaired or replaced at the manufacturer's option, provided (1) the product is submitted with proof of purchase date and (2) transportation charges are prepaid to the manufacturer. Liability under this warranty is expressly limited to repairing or replacing the product or parts thereof and is in lieu of any other warranties, either expressed or implied. This warranty does apply only to normal wear of the product or components. This warranty does not apply to products or parts broken due to, in whole or in part, accident, overload, abuse, chemical attack, tampering, or alteration. The manufacturer accepts no responsibility for product damage or personal injuries sustained when the product is modified in any way. If this warranty does not apply, the purchaser shall bear all cost for labor, material and transportation.

Manufacturer shall not be liable for incidental or consequential damages including, but not limited to process down time, transportation costs, costs associated with replacement or substitution products, labor costs, product installation or removal costs, or loss of profit. In any and all events, manufacturer's liability shall not exceed the purchase price of the product and/or accessories.

RETURN POLICY

Should you have any problems with this product, please contact the distributor in your area. The distributor will then determine if a return to the factory is necessary and will contact the factory for a return authorization number.

Call our toll free Technical Service Hot Line, 1-800-888-3743, if you have any questions regarding product operation or repair.

INTRODUCCIÓN

FTI ha sido diseñador y fabricante internacional de bombas de tambor y mezcladoras por más de veinte años. Hacemos selección de bombas de tambor fácil con nuestra línea completa de motores y tubos intercambiables. Cuando se instala y se maneja correctamente, su bomba de tambor o mezcladora Finish Thompson le dará servicio por un largo tiempo y sin problemas.

GARANTÍA

Finish Thompson, Inc (el fabricante) garantiza este producto contra todo defecto de materiales y mano de obra durante un periodo de un año desde la fecha de adquisición por parte del comprador original. Si, dentro de este periodo, se detecta algún defecto cubierto por la garantía mediante una inspección del fabricante, éste se encargará de corregirlo, mediante reparación o sustitución, a su elección, siempre y cuando: (1) el producto le sea devuelto con algún comprobante de la fecha de compra y (2) a portes pagados. La responsabilidad de esta garantía se limita expresamente a la reparación o sustitución del producto o de partes del mismo, y sustituye a cualquier otra garantía expresa o implícita. Esta garantía sólo se aplica al desgaste del producto o de sus componentes derivado del uso normal. No es aplicable a productos o piezas cuya rotura se deba, en todo o en parte, a accidentes, sobrecargas, abusos, agresión química, manipulación o alteración. El fabricante declina toda responsabilidad por daños en el producto o lesiones personales que se produzcan después de modificar el producto en cualquier forma. Si el comprador no hace valer esta garantía, deberá asumir todos los gastos de mano de obra, material y transporte.

El fabricante no es responsable de los daños consecutivos o resultantes incluidos, aunque sin limitación, los relacionados con la parada de procesos, costes de transporte, costes asociados a la sustitución de productos, costes de mano de obra, costes de retirada o instalación de productos, o pérdida de beneficios. En cualquier caso, la responsabilidad del fabricante no sobrepasará el precio de compra del producto y/o los accesorios.

PÓLIZA DE DEVOLUCIÓN

Si usted tiene cualquier problema con este producto, por favor póngase en contacto con el distribuidor en su area. Entonces el determinará si una devolución a la fábrica es necesaria y se pondrá en contacto con la fábrica para obtener un número de autorización de devolución.

Llame nuestro servicio técnico al numero 814-455-4478 si tiene preguntas de operación o reparación.

SAFETY PRECAUTIONS

ALWAYS wear protective clothing, eye protection and follow standard safety procedures when handling corrosive or personally harmful materials.

NEVER use a plastic pump or an open, splashproof or TEFC motor when pumping or mixing flammable or combustible material.

ALWAYS use and store in an upright position.

NEVER immerse motor in liquid.

ALWAYS place motor in the OFF position prior to connecting the power source.

ALWAYS check motor label plate for the correct power supply requirements.

ALWAYS have manufacturer, its service agent or similarly qualified persons replace supply cord if damaged in order to avoid a hazard.

ALWAYS use an approved plug for Class I, Division 1, Group C & D applications on the X Series motors.

Noise level at a distance of 3 feet:

S Series - M3, M5	73 db (Splash proof)
T Series - M3T, M5T	77 db (Totally enclosed fan cooled)
A Series - M6 at 80 psi line pressure	90 db (Air)
M58P & M59P	85 db (800 watt)

MAINTENANCE PRECAUTIONS

ALWAYS store motor upright and away from corrosive liquids and vapors.

ALWAYS use an automatic air line lubricator, moisture trap and filter in the airline ahead of an air motor. (Use detergent SAE #10 in lubricator). Do not exceed 80 psi (551 kPa) on M6 and 100 psi (689 kPa) on all other air motors.

Motor Models M3, M3T, M5, M5T, M58P and M59P are 10,000 rpm. Motor brushes in these models should be replaced every 200-300 operating hours to assure trouble free service.

Motor Models M3, M3T, M5, M5T, M7T, M8T, M58P and M59P contain a circuit breaker (overload). If motor will not operate, check the circuit breaker.

Motor Models M3X and M5X have a 400-600 operating hour brush life. Model M10X has a 200-300 operating hour brush life. M3X, M5X and M10X motor brushes require factory replacement.

PRECAUCIONES DE SEGURIDAD

SIEMPRE use ropa protectora, protección para los ojos y siga procedimientos de seguridad básicos cuando maneje materiales corrosivos.

NUNCA use una bomba de plástico en los motores abiertos, contra salpiqueos o TEFC cuando se bombéa o se mezcla materiales combustibles o inflamables.

SIEMPRE use y almacene recto.

NUNCA sumerga el motor en líquido.

SIEMPRE ponga el motor en la posición OFF antes de conectar la corriente eléctrica.

SIEMPRE revise la placa por los requerimientos correctos de corriente eléctrica.

SIEMPRE use un enchufe aprobado para la Clase I, la Division 1, las aplicaciones de los Grupos C & D en el motor de la Serie X.

Nivel de ruido a una distancia de 3 pies:

Serie S - M3, M5	73 db (Contra alpiques)
Serie T - M3T, M5T	77 db (TEFC -Totalmente sellada con ventilación)
A Series M6 at 80 psi línea de presión	90 db (Aire)
M58P y M59P	85 db (800 watt)

PRECAUCIONES DE MANTENIMIENTO

SIEMPRE guarde el motor en una posición vertical lejos de líquidos o vapores corrosivos.

SIEMPRE use un lubricador automático con trampa de humedad y filtro en la línea de aire antes del motor. (Use el detergente SAE número 10 en el lubricador). No excede de 80 psi (551 kPa) con el motor M6 o 100 psi (689 kPa) con todos los otros motores de aire.

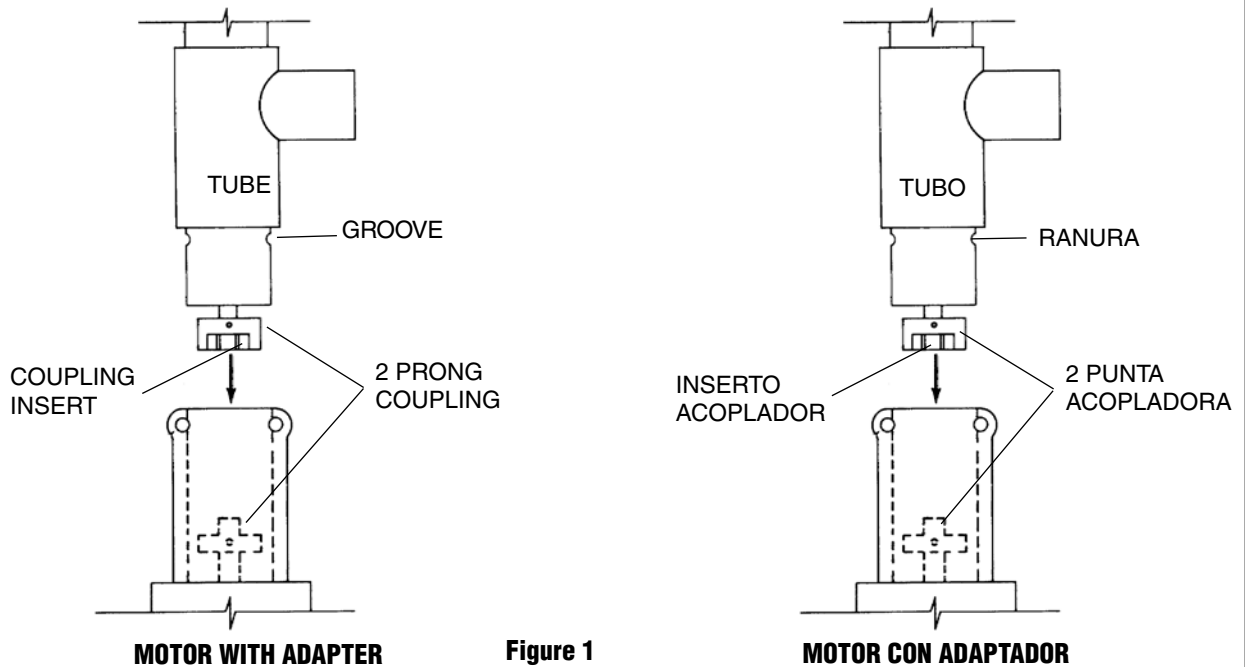
Modelos de motor M3, M3T, M5, M5T, M58P y M59P operan a 10,000 rpm. Los cepillos de motor en estos modelos deben ser reemplazados cada 200-300 horas de operación para asegurarse de un servicio libre de problemas.

Modelos de motor M3, M3T, M5, M5T, M7T, M8T, M58P y M59P contienen un disyuntor (sobrecarga). Si el motor no opera, revise el disyuntor.

Los modelos M3X y M5X del motor tienen una vida del cepillo de la hora de funcionamiento 400-600. El modelo M10X tiene una vida del cepillo de la hora de funcionamiento 200-300. Los cepillos del motor de M3X, de M5X y de M10X requieren el reemplazo de la fábrica.

INSTALLATION

INSTALACIÓN



Unpack motor from carton and check for shipping damage.
Unpack pump/mixer from carton. Check for shipping damage.
If any shipping damage is found, save the packaging and notify the carrier immediately.

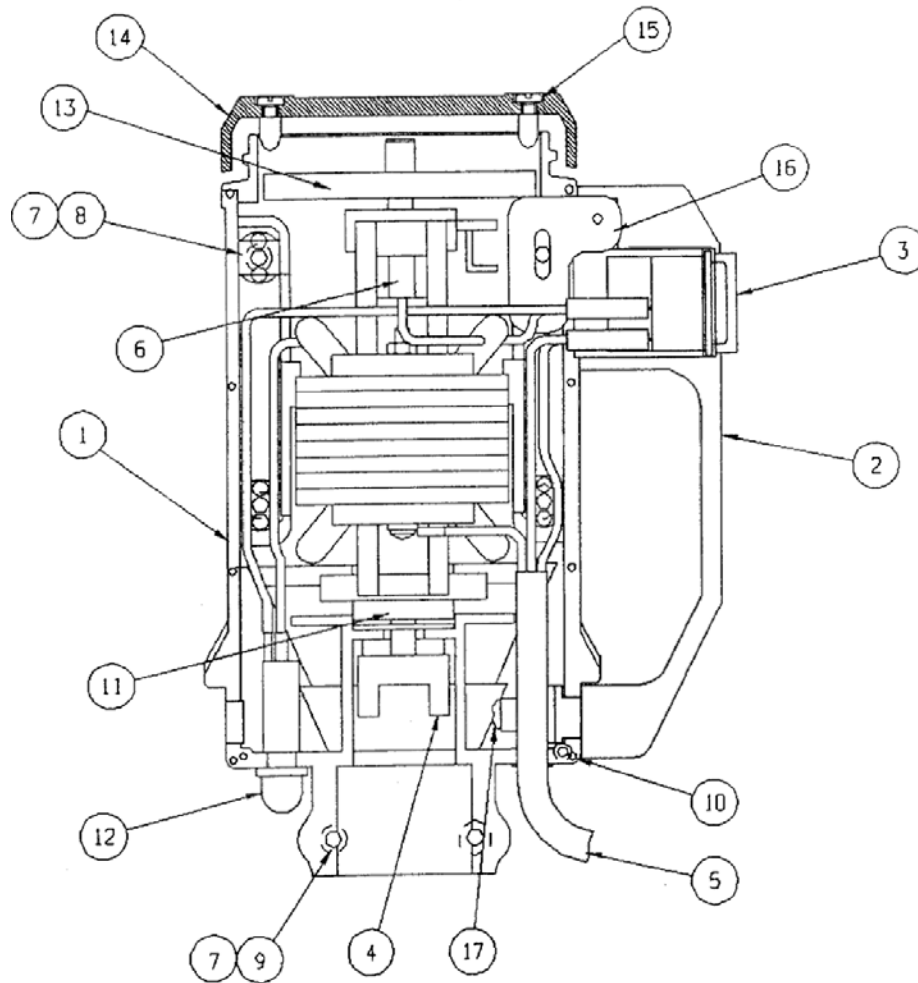
1. Ensure motor and pump compatibility. I.E., labeling.
2. Remove 2 socket head screws and nuts.
3. Ensure no obstructions on the coupling of either motor or pump/mixer.
4. Position couplings and coupling insert for proper alignment.
5. Slide pump/mixer down into motor until couplings mate and pump/mixer is seated properly. Refer to Figure 1.
6. Position motor so mounting holes line up with corresponding grooves on pump/mixer. (Note: Always position electric cord away from discharge spout of pump.)
7. Install 2 socket head screws and nuts in mounting holes and tighten securely.
8. Check to ensure that the motor is secured to the pump/mixer before operating. If not, repeat steps 1-6.

Saque el motor del cartón y revise por daños de embarque.
Saque la bomba (o mezclador) del cartón y revise por daños de embarque.

Si se encuentran daños de embarque, póngase en contacto con el suplidor del producto para reemplazarlo o repararlo.

1. Asegúrese de la compatibilidad entre el motor y la bomba. I.E. La etiqueta.
2. Remueve 2 tornillos de cabeza de caquillo y tuercas.
3. Asegúrese de que no haya obstrucciones en el acoplador de el motor o la bomba (o mezclador).
4. Coloque el acoplador y el inserto acoplador para una alineación correcta.
5. Deslice la bomba (o mezclador) hacia abajo en el motor hasta que el acoplador y la bomba (o mezclador) esten asentadas correctamente. Vea la Figura 1.
6. Coloque el motor para que los huecos de la estructura y las ranuras correspondientes esten alineadas en la bomba (o mezclador). (Note: Siempre coloque la conexión electrica lejos del caño de descargar de la bomba.)
7. Instale 2 tornillos de cabeza de caquillo y tuercas en los huecos de la estructura y aprietalos seguros.
8. Revise para asegurarse que el motor esté amarrado a la bomba (o mezclador) antes de operar. Si no está, repita los pasos 1-6.

M3 & M5 MODELS

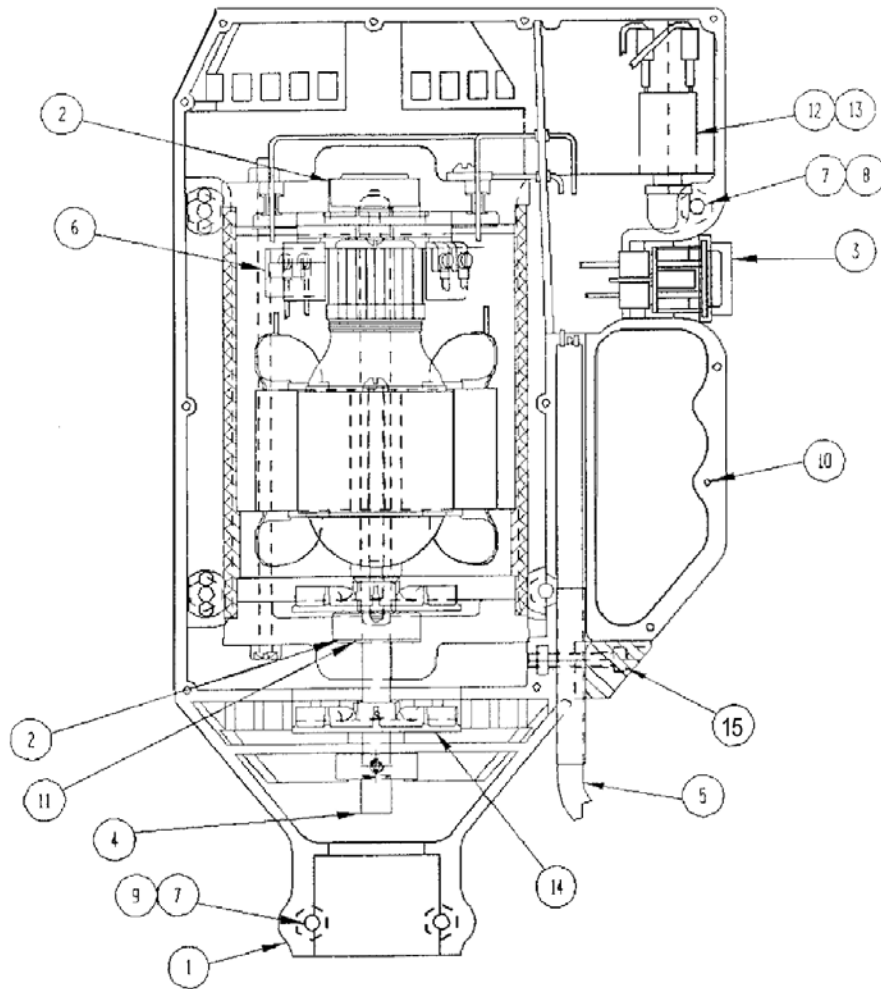


Item	Quantity		Description	Part Number
	M3	M5		
1	1	1	HSG Repair Kit	A101493
2	1	1	Handle	M101668
3	1	1	Switch	A101690
4	1	1	Half Coupling	J100012
5	1	-	Cord Assembly	A102050
5	-	1	Cord Assembly	A102051
6	2	2	Brush	107764
7	6	6	Housing Nut	J100990
8	4	4	Housing Screw	J100022
9	2	2	Socket Head Cap Screw	108392

Item	Quantity		Description	Part Number
	M3	M5		
10	3	3	Screw	J102275
11	1	1	Bearing Kit	A101018
12	1	-	Circuit Breaker w/Cover	A100854
12	-	1	Circuit Breaker w/Cover	A102182
13	1	1	Fan Blade	J101510
14	1	1	Motor Fan Cover	M101710
15	4	4	Cover Screw	J101020
16	1	1	Handle Mounting Block	M101666
17	2	2	Screw	J103715

Note: Motor housing repair kits include motor covers, labels and screws to repair the motor should it be damaged.

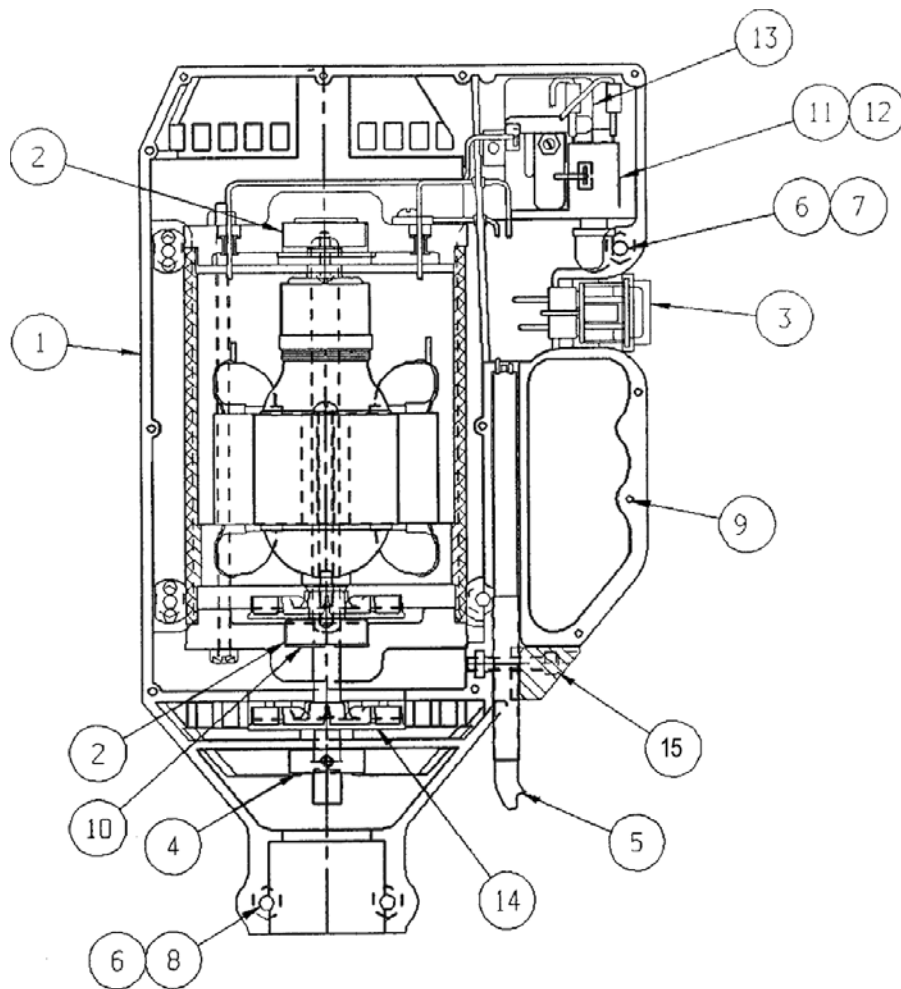
M3T & M5T MODELS



Item	Quantity		Description	Part Number	Item	Quantity		Description	Part Number
	M3T	M5T				M3T	M5T		
1	1	1	HSG Repair Kit	A101416	8	4	4	Socket Head Cap Screw	108392
2	2	2	Ball Bearing	J101069	9	2	2	Mounting Bolt	J101690
3	1	1	Switch	A101690	10	2	2	Screw	J101530
4	1	1	Half Coupling	J100013	11	1	1	Wave Washer	J101126
5	1	-	Cord Assembly	A101738	12	1	-	Circuit Breaker	J103796
5	-	1	Cord Assembly	A101740	12	-	1	Circuit Breaker	J101149
6	2	2	Brush	J101107	13	1	1	Cover	J100789
7	6	6	Housing Nut	J100990	14	1	1	Fan Blade	J101094
					15	2	2	Housing Bolt	J100022

Note: Motor housing repair kits include motor covers, labels and screws to repair the motor should it be damaged.

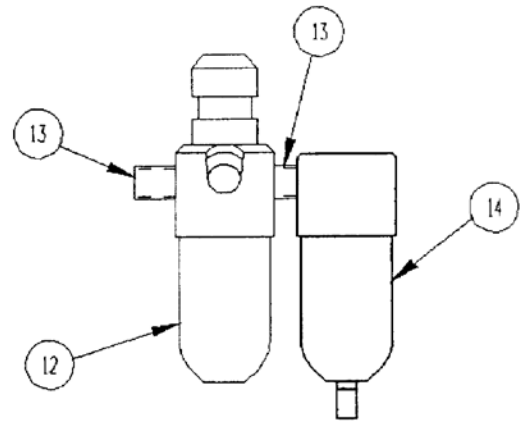
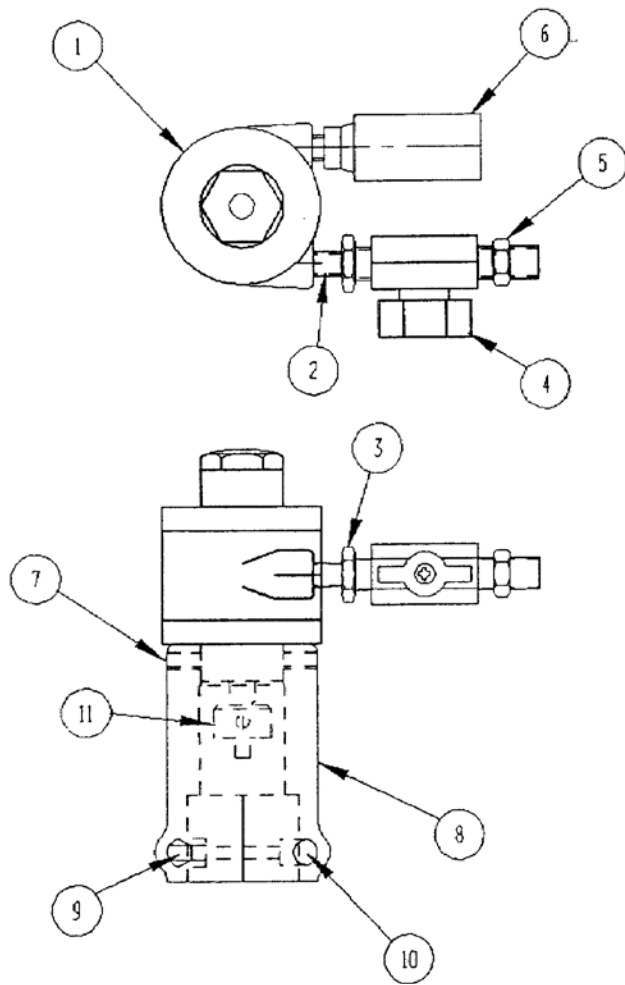
M7T MODELS



Item	Quantity		Part Number	Item	Quantity		Part Number
	M7T	Description			M7T	Description	
1	1	Housing Repair Kit	A101416	9	2	Screw	J101530
2	2	Ball Bearing	J101069	10	1	Wave Washer	J101126
3	1	Switch	A101690	11	1	Circuit Breaker	J101150
4	1	Half Coupling	J100013	11	-	Circuit Breaker	J101149
5	1	Cord Assembly	A101748	12	1	Cover	J100789
5	-	Cord Assembly	A101751	13	1	Start Relay	J101147
6	6	Housing Nut	J100990	13	-	Start Relay	J101804
7	4	Socket Head Cap Screw	108392	14	1	Fan Blade	A102024
8	2	Mounting Bolt	J101690	15	2	Housing Bolt	J100022

Notes: (1) Motor housing repair kits include motor covers, labels and screws to repair the motor should it be damaged.
 (2) Contact factory for information on M8T.

M6 MODEL



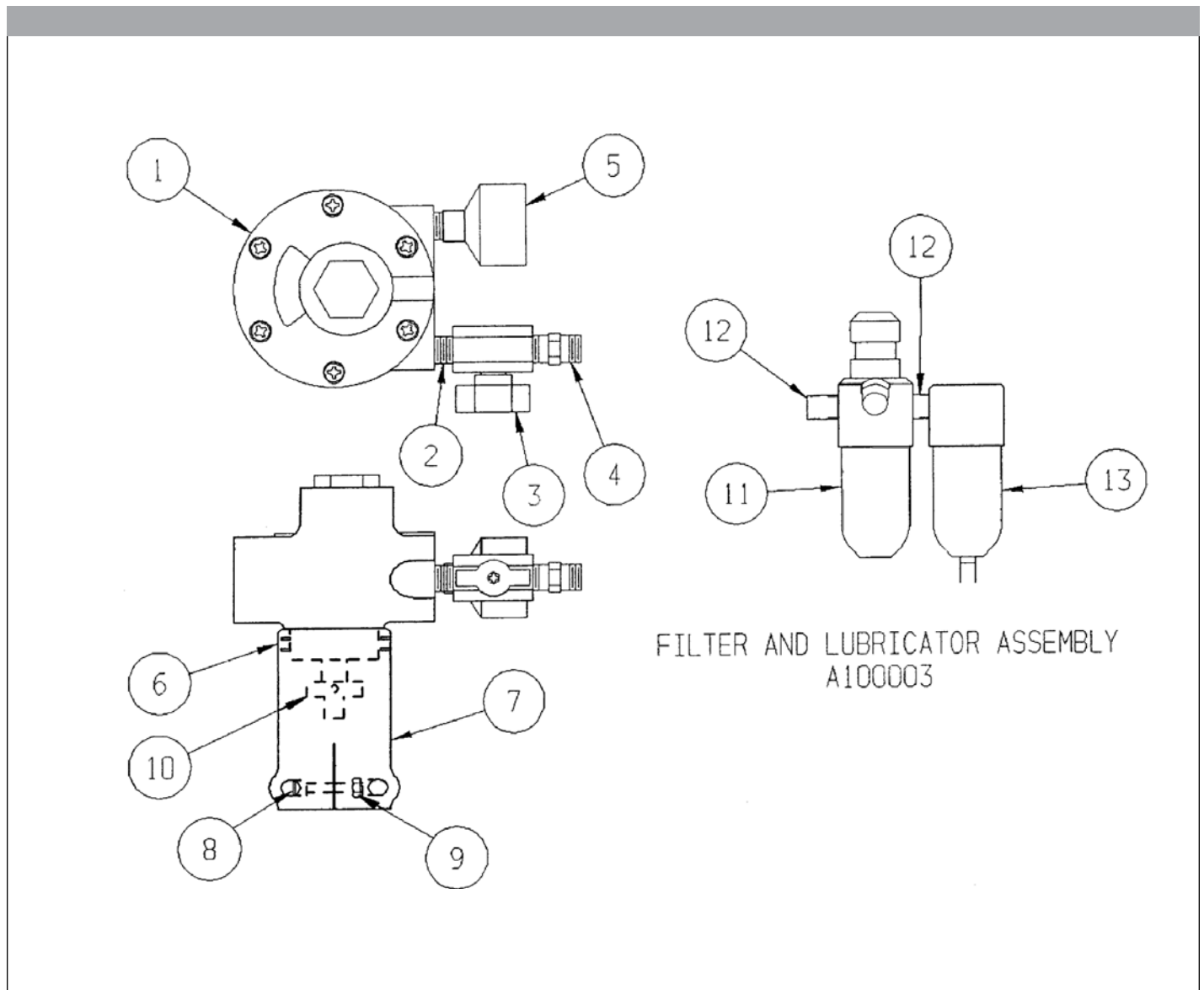
FILTER AND LUBRICATOR ASSEMBLY
A100003

Item	M6	Quantity	Description	Part Number
1	1	1	Air Motor	M101717
2	1	1	Pipe Nipple	J100107
3	1	1	Hex Red. Bushing	J100057
4	1	1	Ball Valve	J100073
5	1	1	Hose Fitting	J100036
6	1	1	Muffler	J100033
7	2	2	Set Screw	J100040

Item	M6	Quantity	Description	Part Number
8	1	1	Air Motor Mount	M100013-1
9	2	2	Socket Head Cap Screw	108392
10	2	2	Hex Nut	J100990
11	1	1	Half Coupling	J100013
12	1	1	Lubricator	J100035
13	2	2	Pipe Nipple	J102463
14	1	1	Filter	J100034

Not Shown: Air Motor Repair Kit J100060

M6X MODEL

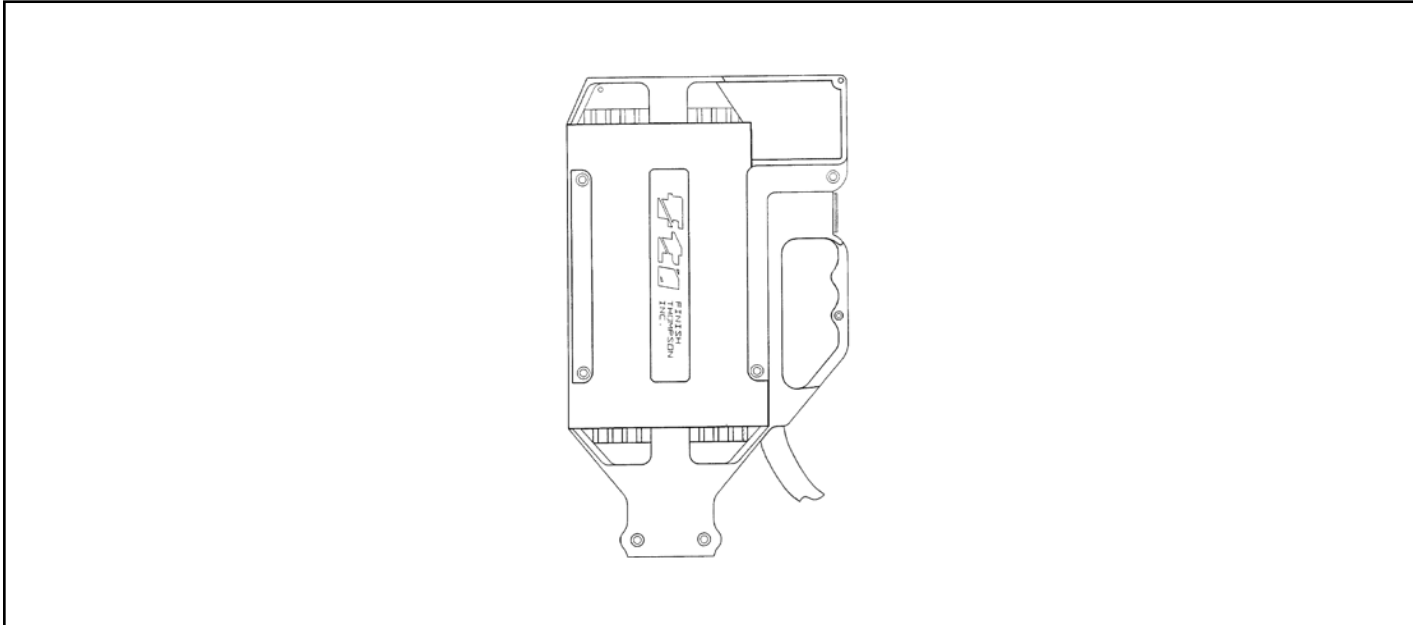


Item	M6X	Quantity	Description	Part Number
1	1	1	Air Motor	M101720
2	1	1	Pipe Nipple	J102463
3	1	1	Ball Valve	J100073
4	1	1	Hose Fitting	J100036
5	1	1	Muffler	J100074
6	2	2	Set Screw	J100040
7	1	1	Air Motor Mount	M100013-2

Item	M6X	Quantity	Description	Part Number
8	2	2	Socket Hd. Cap Screw	108392
9	2	2	Hex Nut	J100990
10	1	1	Half Coupling	J101500
11	1	1	Lubricator	J100035
12	2	2	Pipe Nipple	J102463
13	1	1	Filter	J100034

Not Shown: Air Motor Repair Kit J100075

M3X, M5X, M7X & M10X MODELS

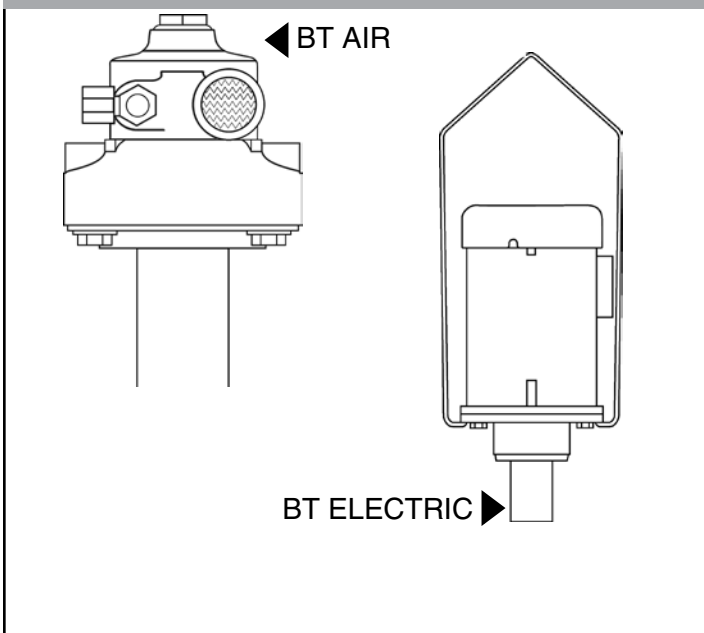


The “X” Series motor housing repair kit number is A101455. Repairs to any item other than the thermoplastic enclosure voids warranty.

El kit de reparación del motor de la Serie “X” es A101455. El hacer reparaciones a cualquier cosa aparte de la cubierta termoplástica anula la garantía.

Note: Motor housing repair kits include motor covers, labels and screws to repair the motor should it be damaged.

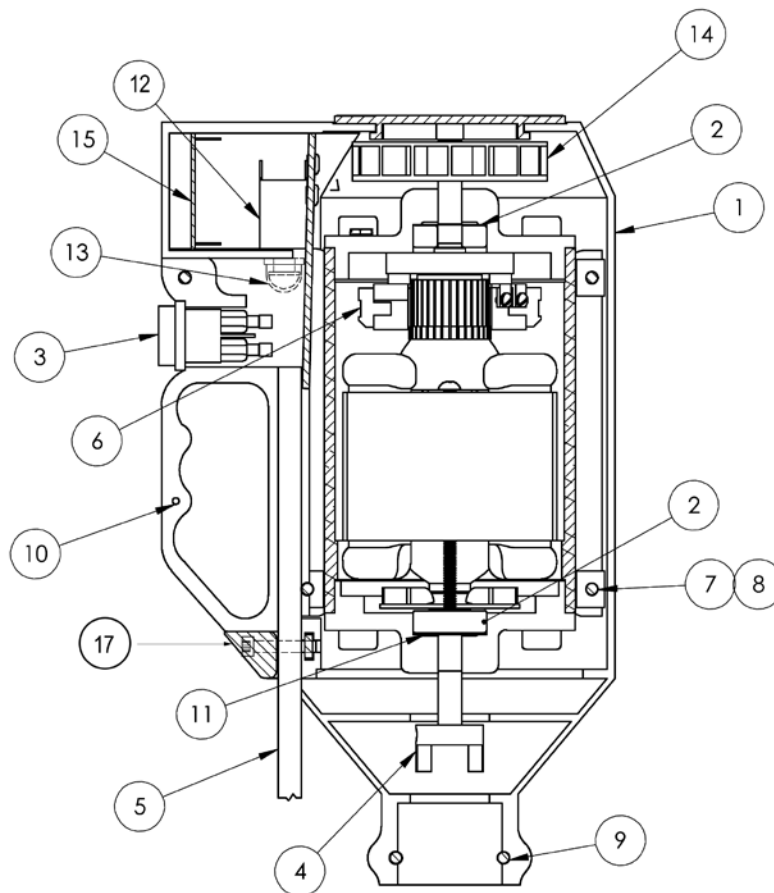
M15-M40 MODELS



Air	TEFC	EXP
M18	M15	M24
M19	M16	M25
M20	M17	M26
	M27	M33
	M28	M34
	M29	M35
	M39 (50 Hz)	
	M40 (50 Hz)	

Please consult factory for repairs to any of the above listed motors.

M58P-M59P MODELS

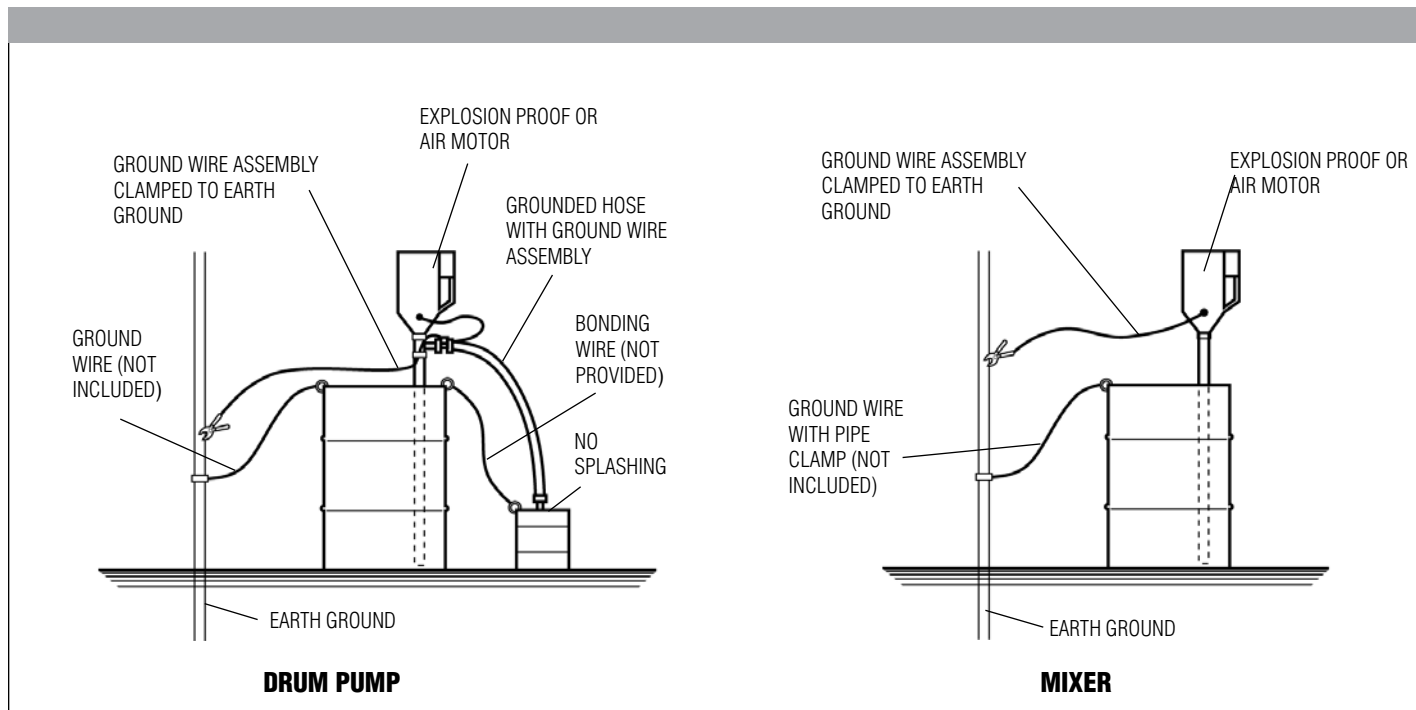


Item	Quantity		Description	Part Number	Item	Quantity		Description	Part Number
	M58P	M59P				M58P	M59P		
1	1	1	Housing Repair Kit	105145	11	1	1	Wave Washer	J101126
2	1	1	Ball Bearing	J101069	12	1	-	Circuit Breaker	J103796
3	1	1	Switch	A101690	12	-	1	Circuit Breaker	J101149
4	1	1	Half Coupling	J100013	13	1	1	Cover	J100789
5	1	-	Cord Assembly	A101738	14	1	1	Fan	105105
5	-	1	Cord Assembly	106732	15	1	1	Speed Control	106086
6	2	2	Brush	J101107	15	1	-	Potentiometer	108176-3
7	6	6	Housing Nut	J100024	15	-	1	Potentiometer	108176-4
8	4	4	Socket Head Cap Screw	108392	*16	1	1	Speed Control Knob & Cover	108414
9	2	2	Mounting Bolt	J101690	17	2	2	Housing Bolt	J100022
10	3	3	Screw	J101530					

*Not shown

Note: Housing Repair Kit includes motor covers, labels, & screws to repair the motor should it be damaged.

STATIC PROTECTION KIT



DRUM PUMP INSTALLATION

1. Install the pump and Static Protection Kit as described and shown.
2. Connect ground wire assembly to earth ground using supplied clamp.
3. Connect ground wire between drum and earth ground.
4. Connect ground wire between receiving container and earth ground (or use bonding wire to connect to drum).

⚠ CAUTION - Check electrical continuity of all components before pumping. All should be one (1) ohm or less.

TUBE MIXER INSTALLATION

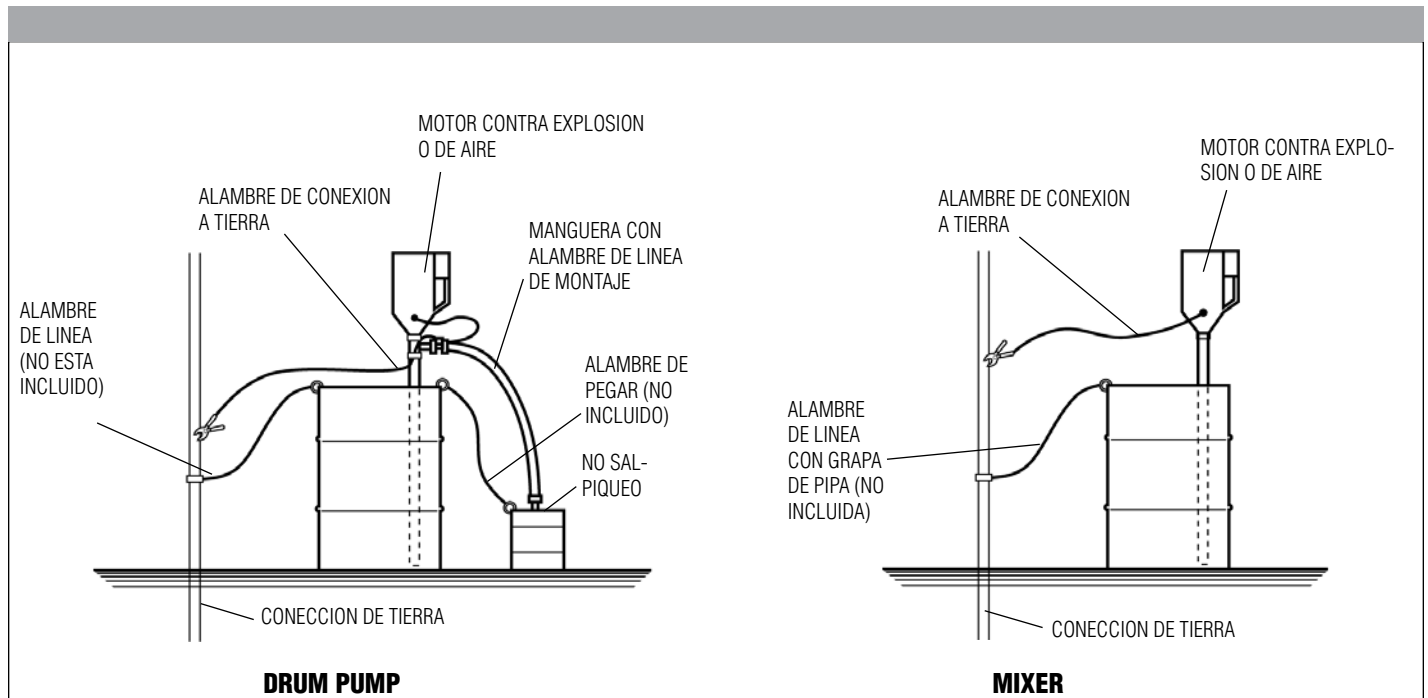
1. Install the mixer and Static Protection Kit as described and shown.
2. Connect ground wire assembly to earth ground using supplied clamp.
3. Connect ground wire between drum and earth ground.

⚠ CAUTION - Check electrical continuity of all components before pumping. All should be one (1) ohm or less.

OPERATION AND SAFETY GUIDELINES

- Use only metallic pump tubes with explosionproof motors to transfer flammable or combustible liquids.
- Area for use must comply with NFPA 30 guidelines for safe storage and use of flammable and combustible liquids.
- All containers and other equipment must be metal and grounded.
- Follow NFPA 77 guidelines for control of static electricity.
- Avoid splashing. Splash filling can create static electricity and is extremely hazardous.
- Fluid velocity must be 3 feet/second maximum (7 GPM in 1" hose).

EQUIPO DE PROTECCIÓN ESTÁTICO



INSTALACIÓN DE LA BOMBA DE MOTOR

1. Instale la bomba y el Equipo de Protección Estático como se describe y se muestra.
2. Conecte el alambre a la conexión de tierra, usando la grapa que se le ha surtido.
3. Conecte el alambre de tierra entre el tambor y la conexión de tierra.
4. Conecte el alambre de tierra entre el recipiente receptor y la conexión de tierra (o use alambre de pegar para conectar al tambor).

! CUIDADO - Revise la continuidad eléctrica de todos los componentes antes de bombear. Todos deben ser un (1) ohm o menos.

INSTALACIÓN DEL MEZCLADOR

1. Instale la mezcladora y el Equipo de Protección Estático como se describe y se muestra.
2. Conecte el alambre a la conexión de tierra, usando la grapa que se le ha surtido.
3. Conecte el alambre de línea entre el tambor y la conexión de tierra.

! CUIDADO - Revise la continuidad eléctrica de todos los componentes antes de bombear. Todos deben ser un (1) ohm o menos.

GUIAS DE OPERACIÓN Y SEGURIDAD

- Use solamente tubos de bomba metálicos con motores contra explosivos para transferir líquidos combustibles o inflamables.
- El lugar de uso debe estar de acuerdo con las normas NFPA 30, para almacenar seguramente líquidos combustibles y inflamables.
- Todo recipiente y otro equipo debe ser de metal y conectado a tierra.
- Siga las guías NFPA 77 para el control de electricidad estática.
- Evite salpiquear. El llenar con salpiqueo puede crear electricidad estática y es extremadamente peligroso.
- La velocidad del fluido debe ser de 3 pies/segundo máximo (7 GPM en manguera de 1").



FINISH THOMPSON INC.

921 Greengarden Road • Erie, PA 16501-1591 U.S.A.
Ph 814-455-4478 • Fax 814-455-8518
Email fti@finishthompson.com • www.finishthompson.com

TECH SERVICE 1-800-888-3743
FT96-593M, J102516, Rev. 27, 7/15/2016

