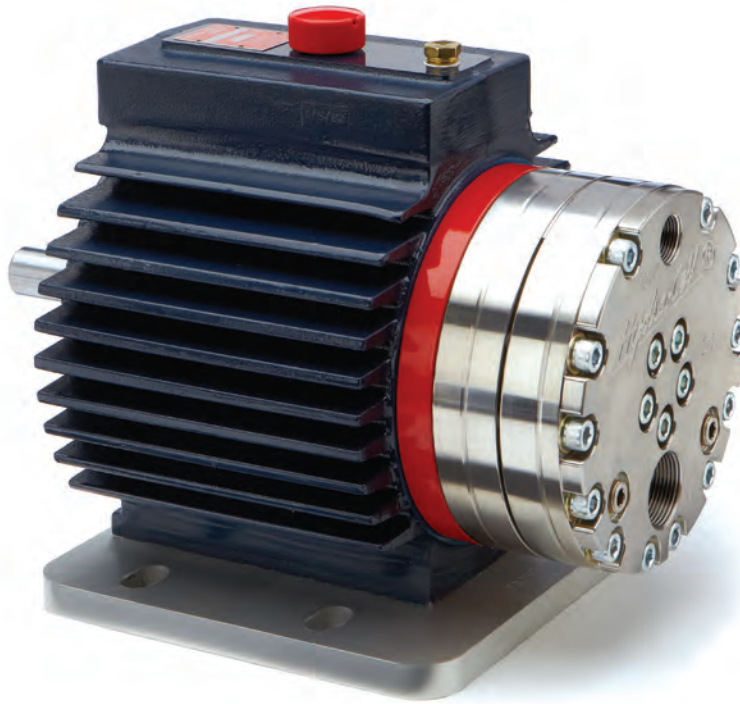


# Hydra-Cell<sup>®</sup>

## Seal-less Pumps

**Versatile, Reliable Pumps for a Wide Range of Applications**



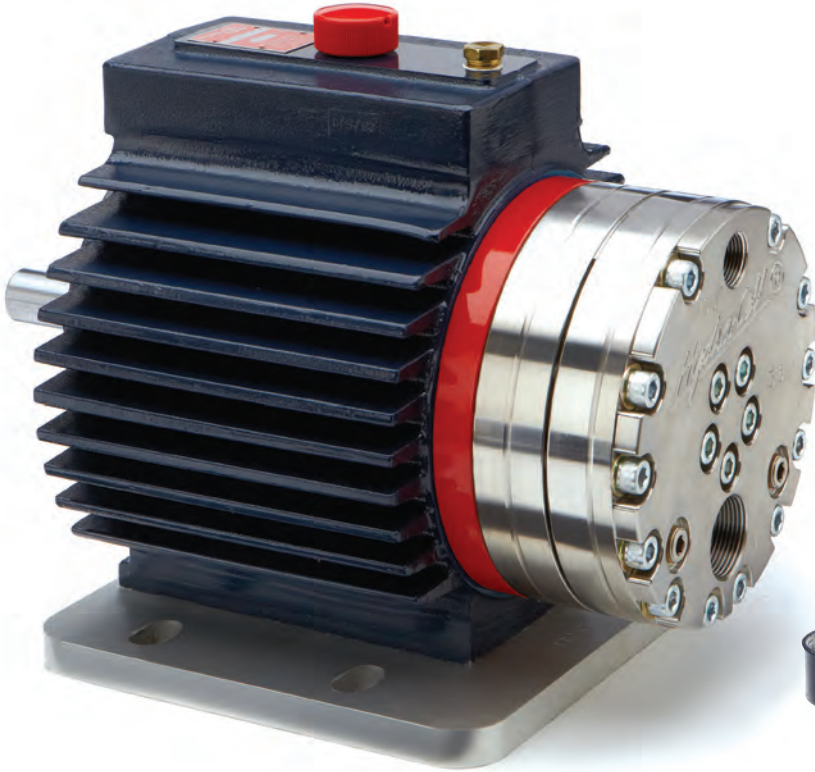
### DI5/DI7 Series

- Pumps the full spectrum of low-to-high viscosity fluids.
- Features a seal-less design and horizontal disk check valves that enable the pump to handle abrasives and particulates that might damage or destroy other types of pumps.
- Simple, compact design reduces initial investment and lowers maintenance costs.
- Operational efficiencies reduce energy costs.
- Able to run dry without damage (or additional maintenance) to the pump in case of accident or operator error.
- Tolerates non-ideal operating conditions.
- Minimizes maintenance and downtime because there are no mechanical or dynamic seals, packing, or cups to leak, wear, or replace.

# DI5/DI7 Series

Maximum Flow Rate: 15.5 gpm (58.7 l/min)

Maximum Pressure: 2500 psi (172 bar) for Metallic Pump Heads



*DI5 for horizontal installations shown with 316L Stainless Steel pump head.*



*DI7 for vertical mounting (including motor adapter, base plate and oil reservoir) shown with Brass pump head.*

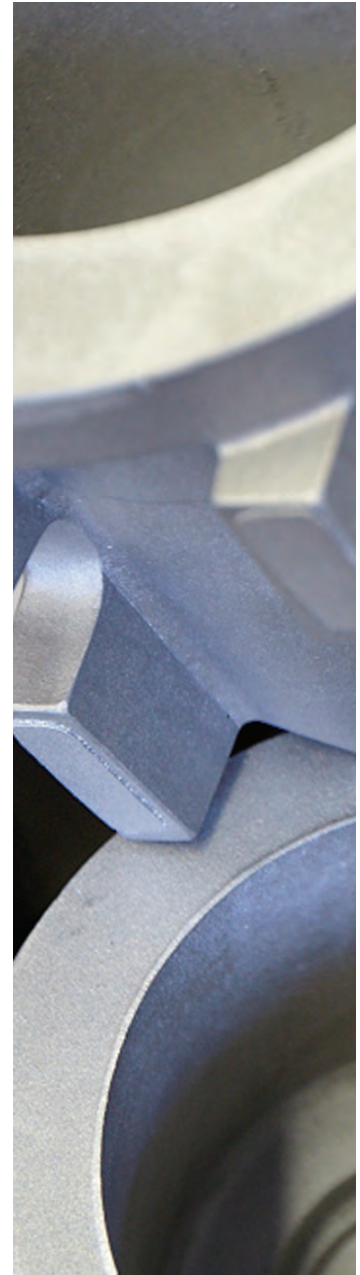
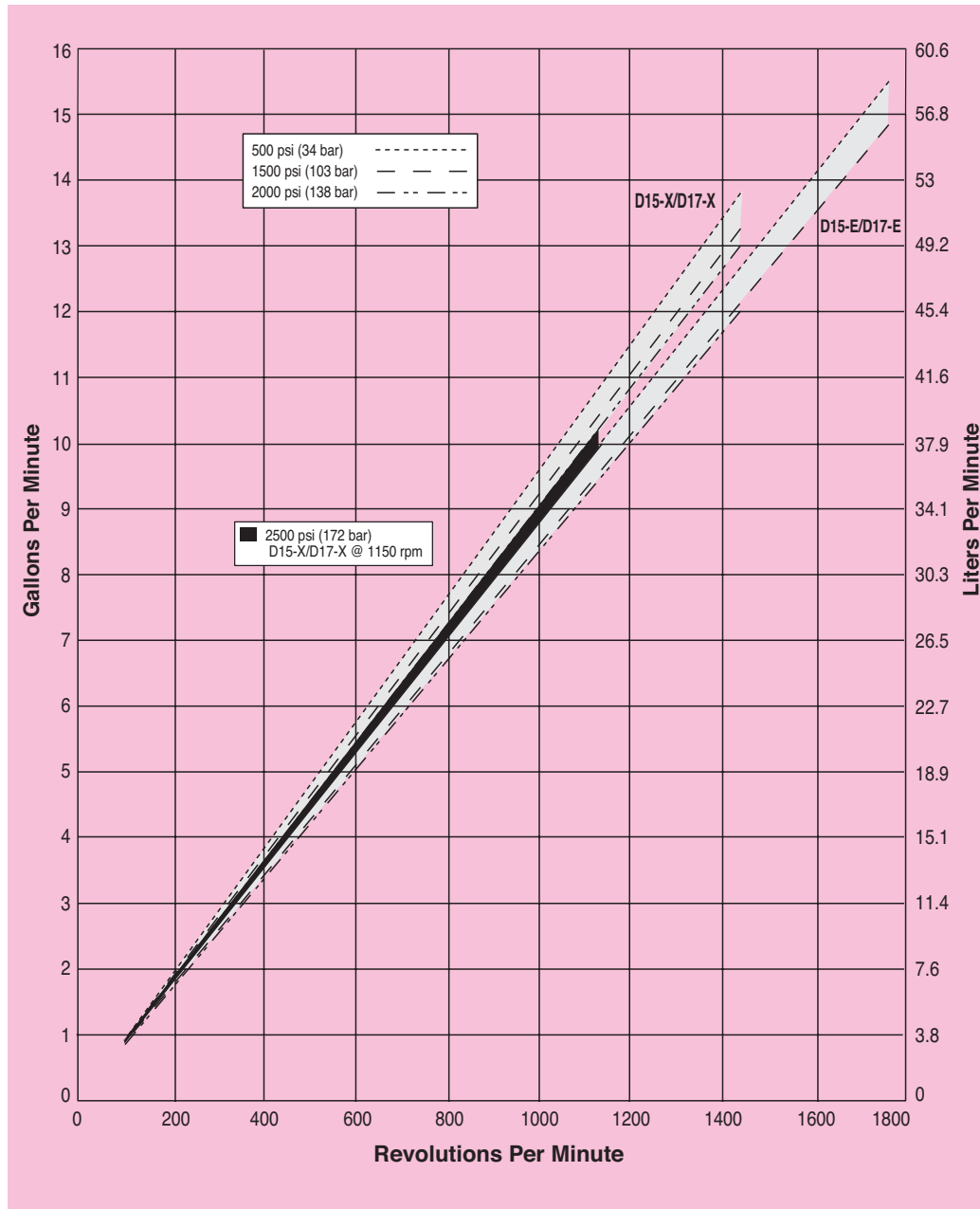
# DI5/DI7 Series Performance

## Capacities

Model	Max. Input rpm	Flow		Pressure	
		gpm	l/min	Max. Inlet Pressure	Max. Discharge Pressure
D15-X/D17-X	1450	13.8	52.3	500 psi (34 bar)	500 psi (34 bar)
	1450	13.3	50.2	500 psi (34 bar)	1500 psi (103 bar)
	1450	13.0	49.2	500 psi (34 bar)	2000 psi (138 bar)
	1150	10.1	38.1	500 psi (34 bar)	2500 psi (172 bar)
D15-E/D17-E	1750	15.5	58.7	500 psi (34 bar)	500 psi (34 bar)
	1750	14.8	56.2	500 psi (34 bar)	1500 psi (103 bar)
	1450	12.0	45.5	500 psi (34 bar)	2000 psi (138 bar)

*Performance and specification ratings apply to DI5/DI7 configurations unless specifically noted otherwise.*

## Maximum Flow at Designated Pressure



# DI5/DI7 Series Specifications

## Flow Capacities

Model	@ max rpm	psi	bar	gpm	l/min
D15-X/D17-X	1450	500	34	13.8	52.3
	1450	1500	103	13.3	50.2
	1450	2000	138	13.0	49.2
	1150	2500	172	10.1	38.1
D15-E/D17-E	1750	500	34	15.5	58.7
	1750	1500	103	14.8	56.2
	1450	2000	138	12.0	45.5

## Delivery

Model	psi	bar	gal/rev	liters/rev
D15-X/D17-X	500	34	0.0095	0.0360
	1500	103	0.0092	0.0346
	2000	138	0.0090	0.0339
	2500	172	0.0088	0.0331
D15-E/D17-E	500	34	0.0089	0.0335
	1500	103	0.0085	0.0321
	2000	138	0.0083	0.0314

## Maximum Discharge Pressure

Metallic Heads: 1500 psi (103 bar) @1750 rpm  
(D15-E & D17-E only)  
2000 psi (138 bar) @1450 rpm  
2500 psi (172 bar) @1150 rpm

## Maximum Inlet Pressure

500 psi (34 bar)

## Maximum Operating Temperature

Metallic Heads: 250° F (121 °C) - Consult factory for correct component selection for temperatures from 160° F (71 °C) to 250° F (121 °C).

## Maximum Solids Size

500 microns

## Inlet Port

1-1/4 inch NPT

## Discharge Port

3/4 inch NPT

## Shaft Diameter

1-1/8 inch (28.6 mm)

## Shaft Rotation

Reverse (bi-directional)

## Bearings

Tapered roller bearings

## Oil Capacity

2.2 US quarts (2.1 liters)

## Weight

Metallic Heads: 145 lbs. (66 kg)

## Calculating Required Power

$$\frac{80 \times \text{rpm}}{63,000} + \frac{\text{gpm} \times \text{psi}}{1,460 - \left(\frac{\text{psi} - 500}{20}\right)} = \text{electric motor hp}$$

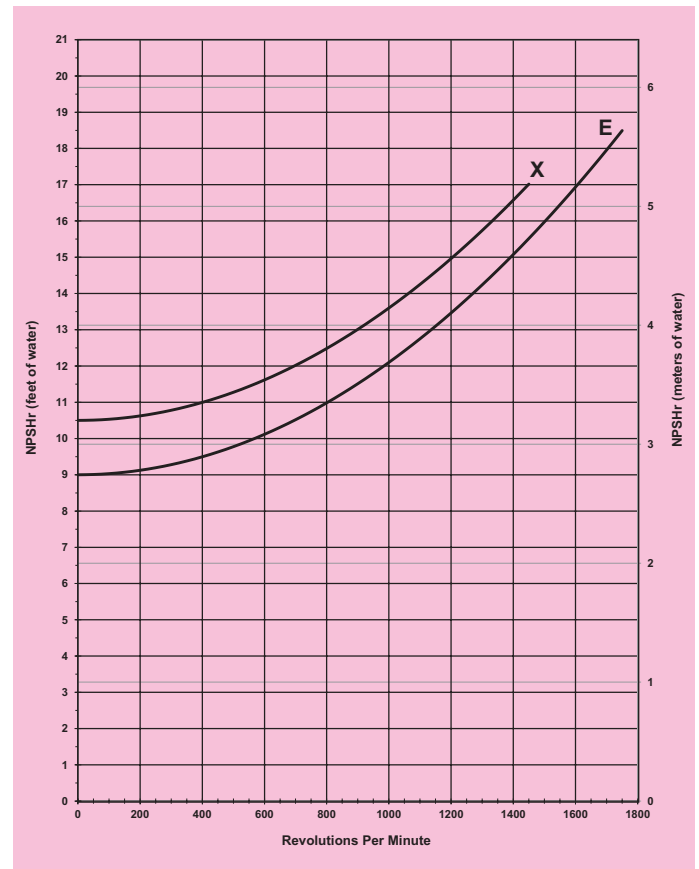
$$\frac{80 \times \text{rpm}}{84,428} + \frac{\text{l/min} \times \text{bar}}{511 - \left(\frac{\text{bar} - 35}{4}\right)} = \text{electric motor kW}$$

## Calculating Pulley Size

$$\frac{\text{motor pulley OD}}{\text{pump rpm}} = \frac{\text{pump pulley OD}}{\text{motor rpm}}$$

When using a variable frequency drive (VFD) controller, calculate the hp or kW at minimum and maximum pump speed to ensure the correct hp or kW motor is selected. Note that motor manufacturers typically de-rate the service factor to 1.0 when operating with a VFD.

## Net Positive Suction Head (NPSHr)

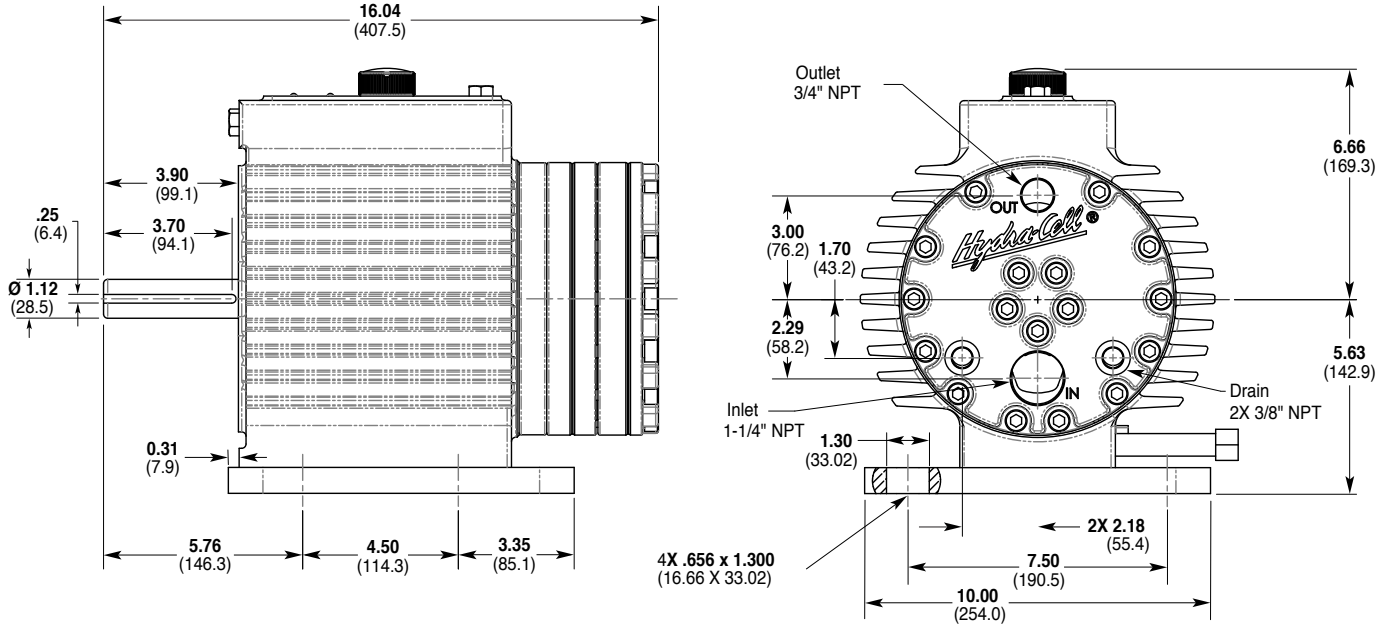


## Self-priming:

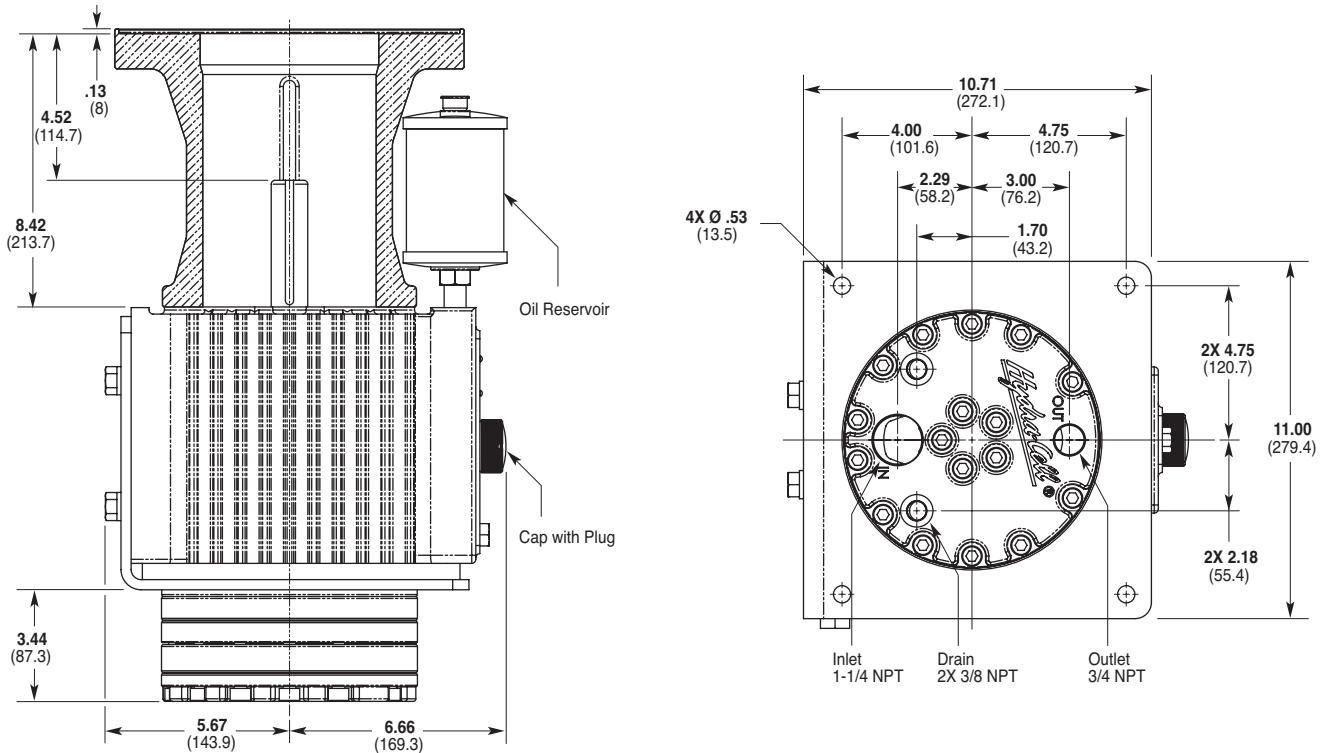
Each Hydra-Cell pump has different lift capability depending on model size, cam angle, speed, and fluid characteristics. To ensure that your specific lift characteristics are met, refer to the inlet calculations regarding friction, and acceleration head losses in your Hydra-Cell Installation & Service Manual. Compare those calculations to the NPSHr curves above.

# DI5/DI7 Series Representative Drawings

## DI5 Models for Horizontal Mounting (Metallic Pump Heads) Inches (mm)



## DI7 Models for Vertical Mounting (Metallic Pump Heads) Inches (mm)



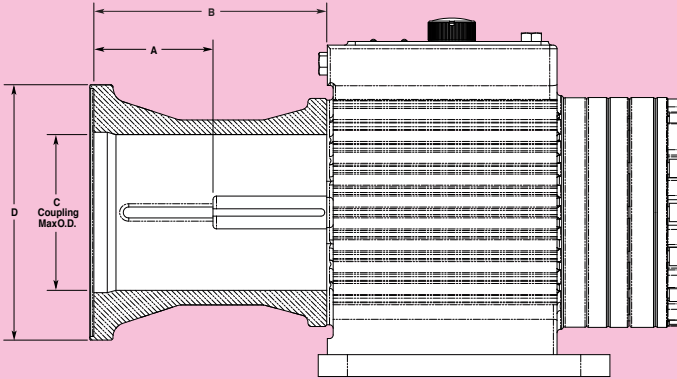
**Note:** Contact factory for additional drawings of specific models and configurations.

# DI5/DI7 Series **Adapters/Valves**

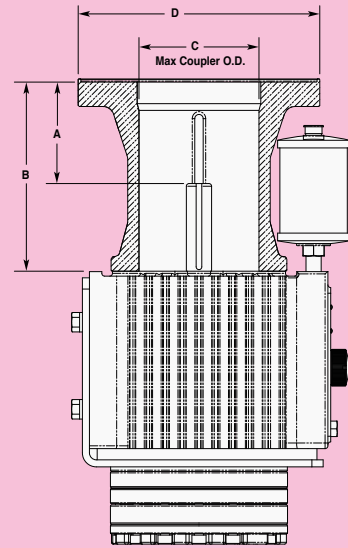
## Pump/Motor Adapter Inches (mm)

Pump/Motor Adapters are designed to fit several NEMA frame sizes.

Metric adapter available - consult factory.



DI5 (Horizontal)



DI7 (Vertical)

### Dimensions in Inches (mm)

Adapter Motor Size	Part Number	A	B	C	D
DI5/DI7 NEMA 182TC - 256TC	A04-041-1200	4.1 (103.8)	8.0 (202.8)	4.75 (120.7)	8.75 (222.3)
DI5/DI7 NEMA 284TC - 286TC	A04-041-1202	4.5 (114.7)	8.4 (213.7)	4.75 (120.7)	10.75 (273.1)

## Valve Selection

A Hydra-Cell DI5/DI7 Series pumping system uses a C62 Pressure Regulating Valve.



For complete specifications and ordering information, consult the Hydra-Cell Master Catalog.

# D15/D17 Series **How to Order**

## Ordering Information

1	2	3	4	5	6	7	8	9	10	11	12
---	---	---	---	---	---	---	---	---	----	----	----

A complete D15/D17 Series Model Number contains 12 digits including 9 customer-specified design and materials options, for example: D15XABTHFECCG.

Digit	Order Code	Description
<b>1-3</b>	<b>D15</b>	<b>Pump Configuration</b> Horizontal shaft-driven (NPT Ports)*
	<b>D17</b>	Vertical shaft-driven (NPT Ports)* *Pump/motor adapters ordered separately. See previous page.
<b>4</b>	<b>X</b>	<b>Hydraulic End Cam</b> Max 13.8 gpm (52.3 l/min) @ 1450 rpm
	<b>E</b>	Max 15.5 gpm (58.7 l/min) @ 1750 rpm
<b>5</b>	<b>A</b>	<b>Pump Head Version</b> NPT Ports
	<b>B</b>	<b>Pump Head Material</b> Brass
<b>6</b>	<b>S</b>	316L Stainless Steel
	<b>7</b>	<b>Diaphragm &amp; O-ring Material</b>
<b>8</b>	<b>A</b>	Aflas diaphragm/PTFE o-ring
	<b>G</b>	FKM
	<b>T</b>	Buna-N
<b>9</b>	<b>D</b>	<b>Valve Seat Material</b> Tungsten Carbide
	<b>H</b>	17-4 Stainless Steel
	<b>N</b>	Nitronic 50
<b>10</b>	<b>D</b>	<b>Valve Material</b> Tungsten Carbide
	<b>F</b>	17-4 Stainless Steel
	<b>N</b>	Nitronic 50
<b>11</b>	<b>E</b>	<b>Valve Springs</b> Elgiloy
	<b>H</b>	17-7 Stainless Steel (high-viscosity option - requires 50 psi/3.4 bar suction pressure)
	<b>T</b>	Hastelloy C
<b>12</b>	<b>C</b>	<b>Valve Spring Retainers</b> Celcon
	<b>H</b>	17-7 Stainless Steel
	<b>M</b>	PVDF
	<b>P</b>	Polypropylene
	<b>Y</b>	Nylon (Zytel)

Digit	Order Code	Description
<b>12</b>	<b>A</b>	<b>Hydra-Oil</b> 10W30 standard-duty oil
	<b>B</b>	40-wt for continuous-duty (use with 316L SST pump head - standard)
	<b>E</b>	Food-contact oil
	<b>G</b>	5W30 cold-temp severe-duty synthetic oil
	<b>H</b>	15W50 high-temp severe-duty synthetic oil

### Consult the Hydra-Cell Master Catalog for:

- Motors, bases, couplings and other pump accessories
- Hydra-Oil selection and specification information
- Design considerations, installation guidelines, and other technical assistance in pump selection

# Hydra-Cell®

## Seal-less Pumps



### **Wanner Engineering, Inc.**

#### **World Headquarters & Manufacturing**

Wanner Engineering, Inc.  
1204 Chestnut Avenue  
Minneapolis, MN 55403 USA  
Phone: 612-332-5681 • Fax: 612-332-6937  
Toll-Free Fax (USA): 800-332-6812  
Email: sales@wannereng.com  
www.Hydra-Cell.com

207 US Highway 281  
Wichita Falls, TX 76310 USA  
Phone: 940-322-7111  
Toll-Free: 800-234-1384  
Email: sales@wannereng.com  
www.Hydra-Cell.com

#### **Latin American Office**

R. Álvaro Anes, 150 Bairro Campestre  
Santo André/São Paulo, Brazil - CEP 09070-030  
Phone: +55 (11) 4081-7098  
Email: mmagoni@wannereng.com  
www.Hydra-Cell.com



### **Wanner International Ltd.**

Wanner International, Ltd.  
Hampshire - United Kingdom  
Phone: +44 (0) 1252 816847  
Email: sales@wannerint.com  
www.Hydra-Cell.eu



### **Wanner Pumps Ltd.**

Wanner Pumps, Ltd.  
Kowloon - Hong Kong  
Phone: +852 3428 6534  
Email: sales@wannerpumps.com  
www.WannerPumps.com

Shanghai - China  
Phone: +86-21-6876 3700  
Email: sales@wannerpumps.com  
www.WannerPumps.com

