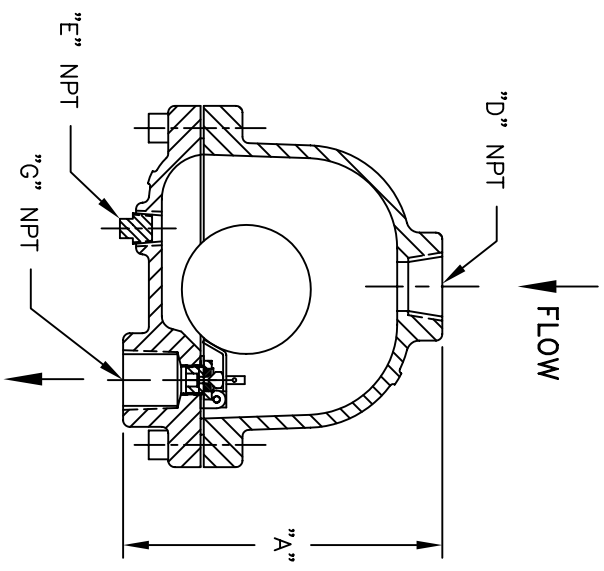
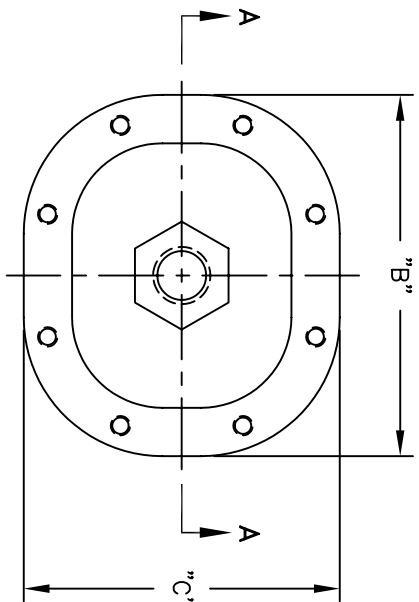
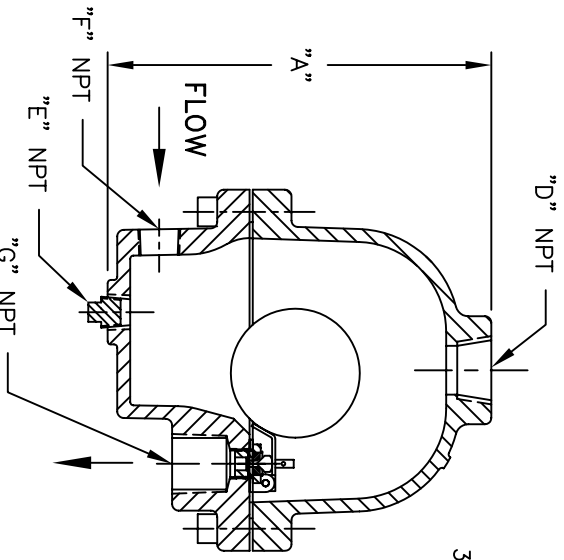


PART NO.	DIMENSIONS						WEIGHT	
	"A" IN. MM	"B" IN. MM	"C" IN. MM	"D" IN. MM	"E" IN. MM	"F" IN. MM	"G" IN. MM	LBS KGS
95SSACAN	6.25 / 159	7.00 / 178	6.13 / 156	1 / 25	3/8 / 10	----	1 / 25	17 / 7.7
95SSAC-SIAN	7.50 / 191	7.00 / 178	6.13 / 156	1 / 25	3/8 / 10	1/2 / 13	1 / 25	19 / 8.6



SECTION A-A  
P/N: 95SSACAN



(SIDE INLET)  
P/N: 95SSAC-SIAN

NOTES:

1. ALL DIMENSIONS ARE IN INCHES [MM].
2. DESIGN DATA:

DESIGN PRESSURE- 500 PSIG [34.4 BARS]  
 DESIGN TEMPERATURE- 450° F [232.2 °C]  
 MIN. DESIGN METAL TEMP.- -20° F @ 500 PSIG  
 [-28.9° C @ 34.4 BARS]

3. MATERIAL: BODY & COVER - STAINLESS STEEL SA351 CF8M  
 INTERNALS - STAINLESS STEEL

CERTIFIED FOR:  
 P.O. NO.:  
 S.O. NO.:  
 QUOTE NO.:  
 TAG NO.:

ELECTRONIC FILE NAME: SD95ASAN.DWG  
 REF. ECR D507  
 DATE 10/18/05

UNAUTHORIZED USE, MANUFACTURE OR  
 REPRODUCTION IN WHOLE OR IN PART IS  
 PROHIBITED. DRAWING, DESIGN AND  
 OTHER DISCLOSURES PROPERTY OF  
 EATON FILTRATION, LLC

<b>EATON</b>	DRAWN FM		DATE 5/24/04		CERT. VAA		DATE 5/24/04	
	SIZE A	DWG NO.	SD95ASAN					
<b>EATON FILTRATION, LLC</b>		NAME TYPE 95-AC FLOAT DRAIN TRAPS FOR COMPRESSED AIR & GAS SERVICE STAINLESS STEEL 900 FAIRMOUNT AVENUE, ELIZABETH, NEW JERSEY 07207						