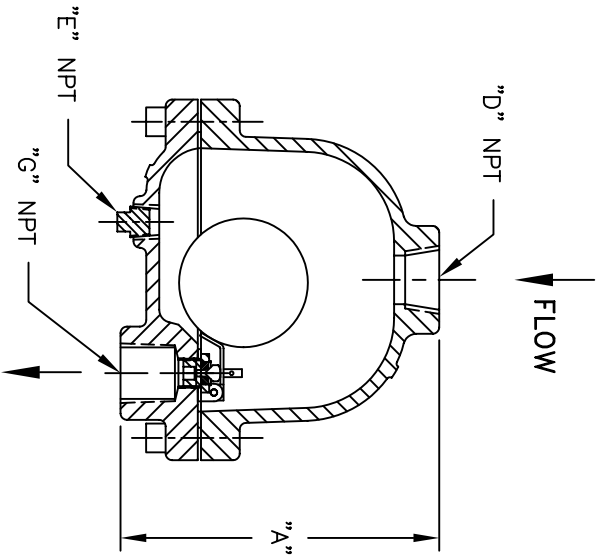
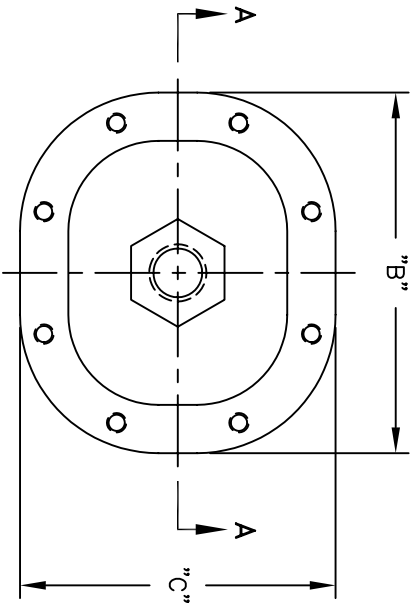
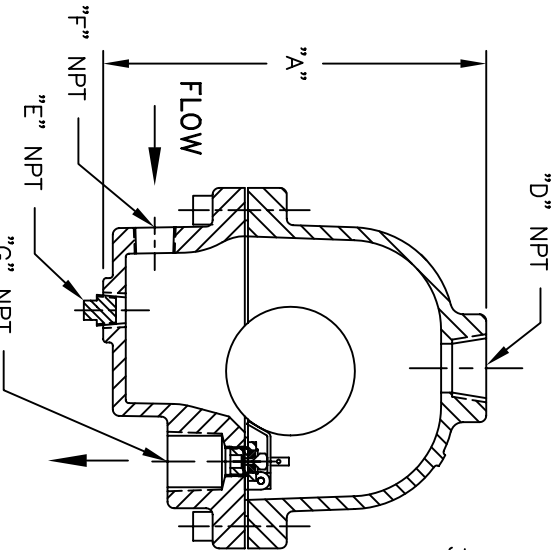


PART NO.	DIMENSIONS								WEIGHT	
	"A"	"B"	"C"	"D"	"E"	"F"	"G"	LBS	KGS	
	IN.	MM	IN.	MM	IN.	MM	IN.	MM	MM	
95CSACAN	6.25 / 159	7.00 / 178	6.13 / 156	1 / 25	3/8 / 10	---	1 / 25	17 / 7.7		
95CSAC-SIAN	7.50 / 191	7.00 / 178	6.13 / 156	1 / 25	3/8 / 10	1/2 / 13	1 / 25	19 / 8.6		



SECTION A-A  
P/N: 95CSACAN



(SIDE INLET)  
P/N: 95CSAC-SIAN

NOTES:

1. ALL DIMENSIONS ARE IN INCHES [MM].
2. DESIGN DATA:  
DESIGN PRESSURE- 500 PSIG [34.4 BARS]  
DESIGN TEMPERATURE- 450° F [232.2 °C]  
MIN. DESIGN METAL TEMP.- -20° F @ 500 PSIG  
[-28.9° C @ 34.4 BARS]
3. MATERIAL: BODY & COVER - CARBON STEEL, SA216 WCB  
INTERNALS - STAINLESS STEEL

CERTIFIED FOR:  
P.O. NO.:  
S.O. NO.:  
QUOTE NO.:  
TAG NO.:

ELECTRONIC FILE NAME: SD95ACAN.DWG  
REF. ECR D507 DATE 10/18/05

UNAUTHORIZED USE, MANUFACTURE OR REPRODUCTION IN WHOLE OR IN PART IS PROHIBITED. DRAWING, DESIGN AND OTHER DISCLOSURES PROPERTY OF EATON FILTRATION, LLC

<b>EATON</b>	<b>EATON FILTRATION, LLC</b>				
	900 FAIRMOUNT AVENUE, ELIZABETH, NEW JERSEY 07207				
NAME	TYPE 95-AC FLOAT DRAIN TRAPS FOR COMPRESSED AIR & GAS SERVICE				
	CARBON STEEL				
DRAWN	FM	DATE	5/24/04	CERT.	VAA
DATE	5/24/04	DATE	5/24/04		
SIZE	A	DWG NO	SD95ACAN	REV	B