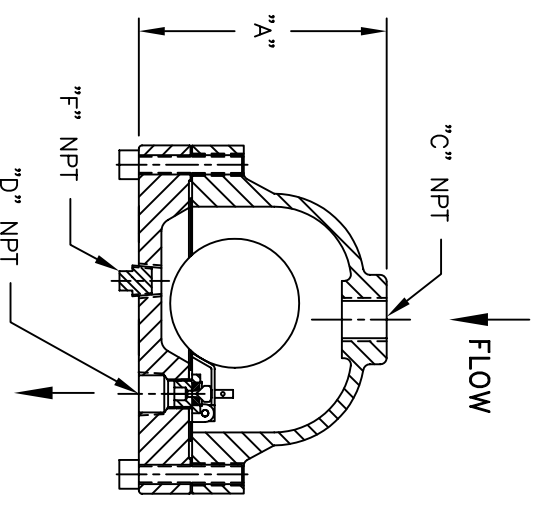
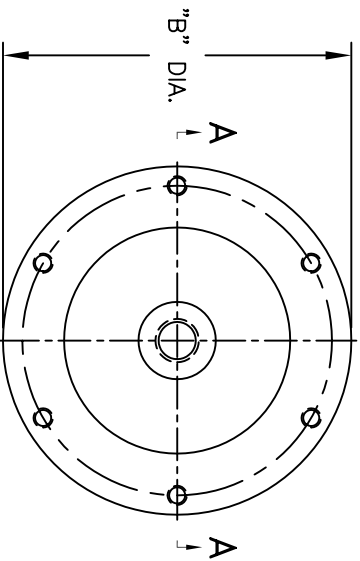
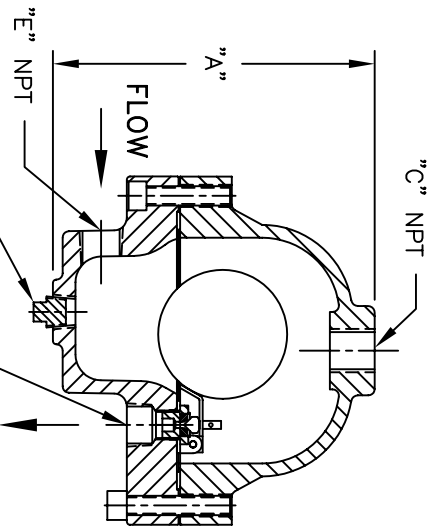


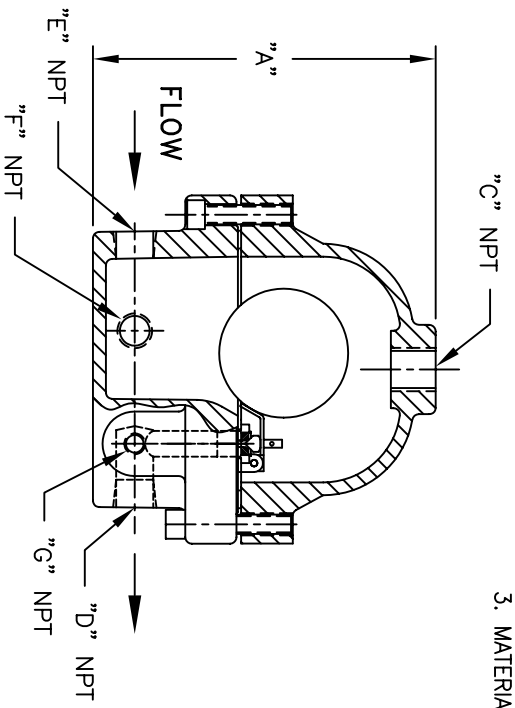
PART NO.	DIMENSIONS							WEIGHT	
	"A" IN. MM	"B" IN. MM	"C" IN. MM	"D" IN. MM	"E" IN. MM	"F" IN. MM	"G" IN. MM	LBS	KGS
90ACN	4.80 / 122	6.75 / 171	3/4 / 20	3/4 / 20	---	3/8 / 10	---	19	8.6
90ACNCSIN	6.25 / 159	6.75 / 171	3/4 / 20	1/2 / 13	1/2 / 13	3/8 / 10	---	20	9
90ACNCSIN	6.63 / 169	6.75 / 171	3/4 / 20	1/2 / 13	1/2 / 13	3/8 / 10	1/8 / 3	22	10



SECTION A-A
P/N: 90ACN



(SIDE INLET)
P/N: 90ACNCSIN



(SIDE INLET - SIDE OUTLET)
P/N: 90ACNCSIN

NOTES:

1. ALL DIMENSIONS ARE IN INCHES [MM].
2. DESIGN DATA:

DESIGN PRESSURE- 250 PSIG [17.2 BARS]
 DESIGN TEMPERATURE- 450° F [232.2 °C]
 MIN. DESIGN METAL TEMP.- -20° F @ 250 PSIG
 [-28.9° C @ 17.2 BARS]

3. MATERIAL: BODY & COVER - CAST IRON, SA-278 CLASS 30
 INTERNALS - STAINLESS STEEL

CERTIFIED FOR:

P.O. NO.:
 S.O. NO.:
 QUOTE NO.:
 TAG NO.:

ELECTRONIC FILE NAME: SD90ACN.DWG
 REF. ECR D507 DATE 10/18/05

UNAUTHORIZED USE, MANUFACTURE OR REPRODUCTION IN WHOLE OR IN PART IS PROHIBITED. DRAWING, DESIGN AND OTHER DISCLOSURES PROPERTY OF EATON FILTRATION, LLC

		EATON FILTRATION, LLC 900 FAIRMOUNT AVENUE, ELIZABETH, NEW JERSEY 07207			
		NAME TYPE 90-AC FLOAT DRAIN TRAPS FOR COMPRESSED AIR & GAS SERVICE CAST IRON			
DRAWN	FM	DATE	5/24/04	CERT.	VAA
DATE	5/24/04	REV	B	DATE	5/24/04
SIZE	A	DWG NO.	SD90ACN		