

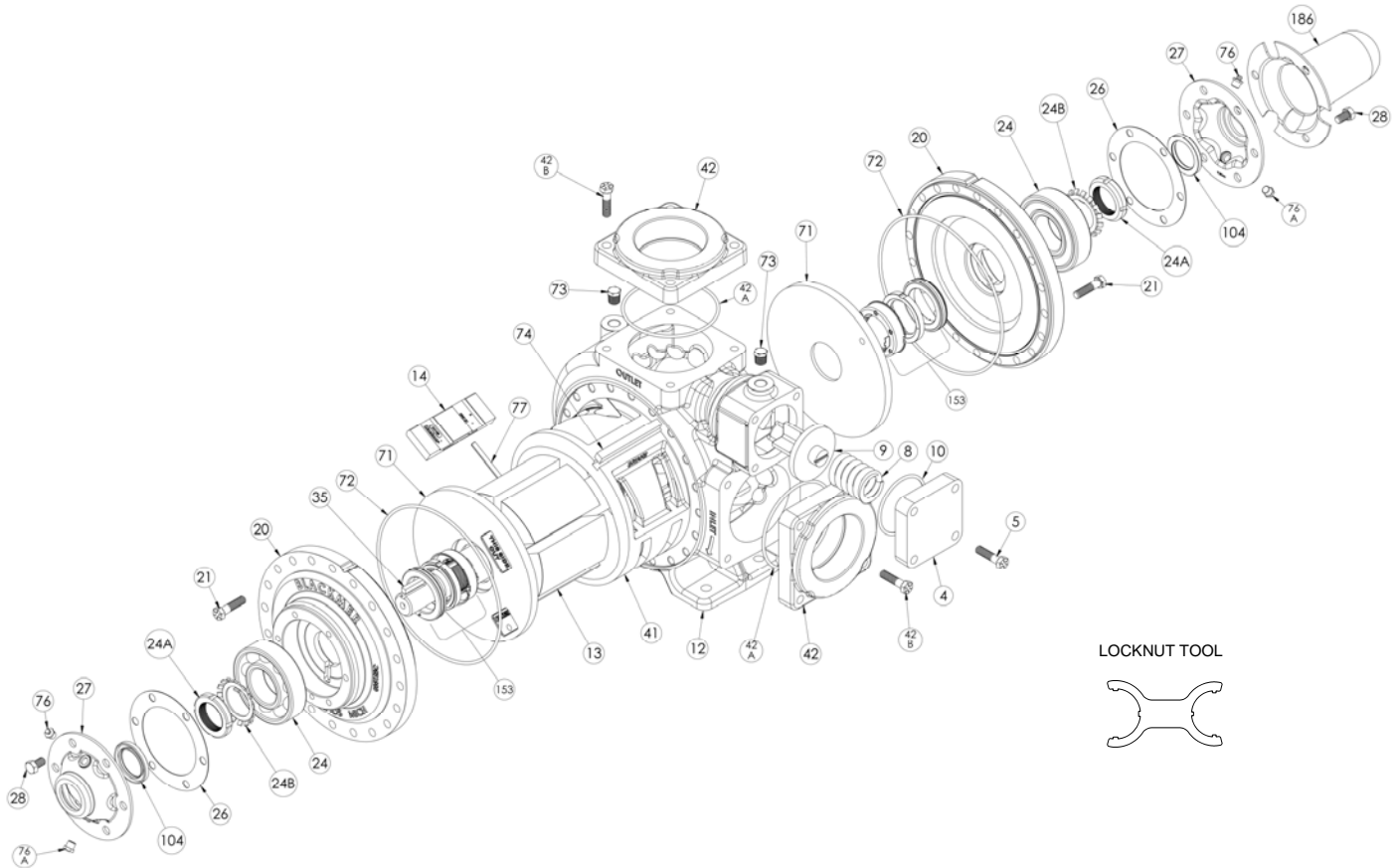
# BLACKMER PARTS LIST

## PUMP MODEL: LGL3021A

960440      **PARTS LIST**  
Page 1 of 2      **501-L01**

Keep with 501-L00 Installation, Operation and Maintenance Instructions

Section      501  
Effective      Jan 2012  
Replaces      New



Ref. No.	Description	Parts Per Pump	Part No.	Ref. No.	Description	Parts Per Pump	Part No.
4	Cover - Relief Valve (R/V)	1	415115	41	Liner	1	<sup>2</sup> 185111
5	Capscrews - R/V Cover	4	920379	42	Flange - NPT 3"	2	655132
8	Spring - R/V	1	<sup>1</sup> 475135		Flange - NPT 4"		655133
9	Valve - R/V	1	455129	42A	O-Ring - 3" Flange	2	<sup>1</sup> 712245
10	O-Ring - R/V Cover	1	<sup>1</sup> 711941		O-Ring - 4" Flange		<sup>1</sup> 794126
12	Casing	1	015131	42B	Capscrew - NPT Flange	8	920379
13A	Rotor & Shaft Asy. (Includes Ref. Nos. 24A & 24B)	1	<sup>2</sup> 265190	71	Disc	2	<sup>1</sup> 065112
14	Vane - Duravane	6	<sup>1</sup> 095131	72	O-Ring - Head	2	<sup>1</sup> 702041
20	Head	2	035128	73	Gage Plug	2	908198
21	Capscrews - Head	40	920379	74	Key - Liner	1	<sup>2</sup> 185191
24	Ball Bearing	2	<sup>1</sup> 903166	76	Grease Fitting	2	317815
24A	Locknut - Bearing	2	<sup>2</sup> 903523	76A	Grease Relief Fitting	2	701992
24B	Lockwasher - Bearing	2	<sup>1</sup> 903524	77	Push Rod	3	<sup>1</sup> 125110
26	Gasket - Bearing Cover	2	<sup>1</sup> 385125	104	Grease Seal	2	<sup>1</sup> 331908
27	Bearing Cover	2	041815	186	Shaft Protector	1	341801
28	Capscrews - Bearing Cover	12	920285	—	Tool - Locknut	—	903091
35	Key - Shaft, 1/4" Square	1	<sup>1</sup> 909209	—	Kit - Maintenance	—	899195
				—	Kit - Rebuild	—	899095

<sup>1</sup> Included in Maintenance Kit and Rebuild Kit

<sup>2</sup> Included in Rebuild Kit

**MECHANICAL SEAL**

**NH<sub>3</sub> OR DUAL SERVICE – SNCN (ID Code = QA)**

Ref. No.	Part Name	Parts Per Pump	Part No.
153	Mechanical Seal Assembly	2	<sup>1</sup> 335225
153A	Stationary Seat (Steel)	2	**
153B	Seal Face (Carbon)	2	**
153C	Jacket Assembly	2	**
153D	O-Ring - Stationary (Buna-N)	2	702025
153E	O-Ring Rotating (Buna-N)	2	711912

<sup>1</sup> Included in Maintenance Kit and Rebuild Kit

\*\* NOTE: Mechanical Seal Ref. No. 153 is only sold as a complete assembly.  
Ref. Nos. 153A, 153B & 153C are not available as separate replacement parts.

