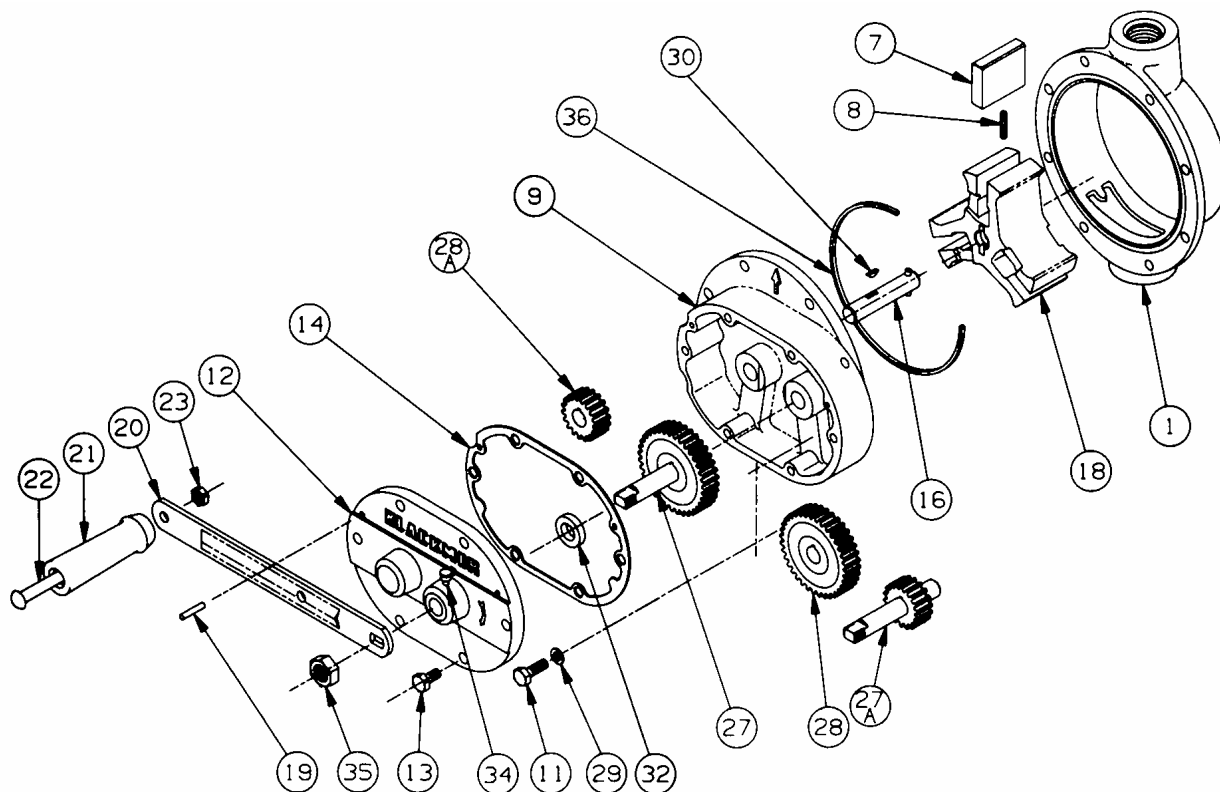


## PARTS LIST

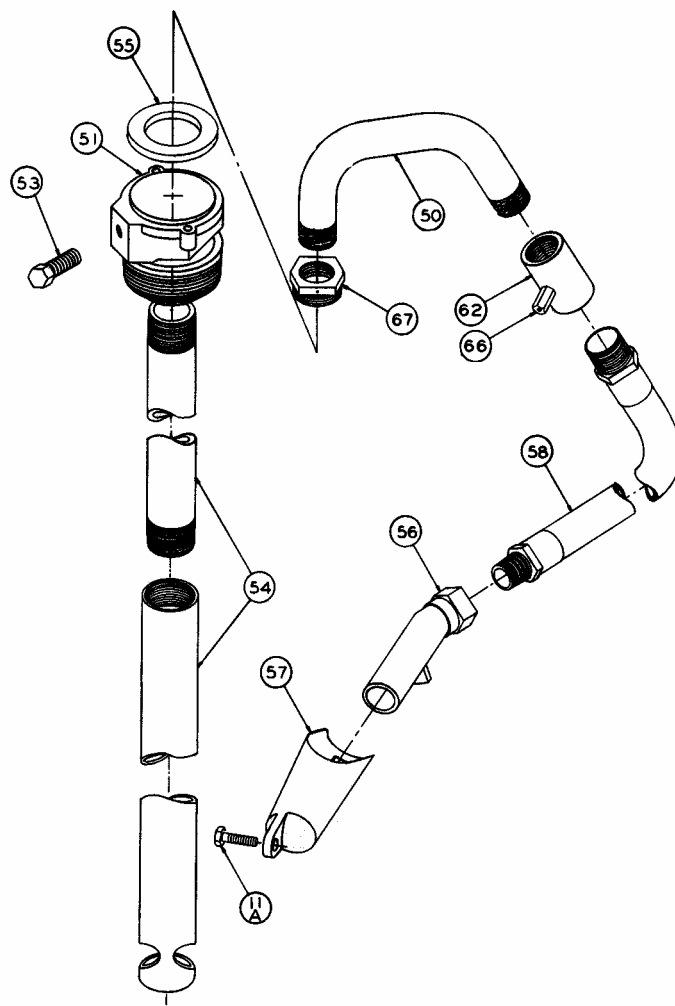


REF.NO.	PART NAME	PARTS PER PUMP	PART NO.
1	Cylinder (1-1/4" Ports)	1	020413
7	Vane - Carbon	3	090409*
8	Spring (Stainless Steel)	3	110409*
9	Head	1	030609
11	Capscrews - Head (5/16 - 18 x 7/8")	8	920178
12	Cover - Head	1	040407
13	Capscrew - Head Cover (5/16 - 18 x 7/8")	6	920178
14	Gasket - Head Cover	1	380403*
16	Shaft and Pin Assembly	1	210415
18	Rotor	1	200409
19	Groove Pin (3/16 x 3/4")	2	930058
20	Crank Arm (10")	1	700466
21	Grip Handle	1	700119
22	Pin - Handle	1	700898
23	Jam Nut - Handle Pin (3/4 - 16)	1	922946
27	Large Gear & Shaft Asy. (828B Model)	1	710837
27A	Small Gear & Shaft Asy. (807B Model)	1	710839
28	Large Gear (807B Model)	1	919905
28A	Small Gear (828B Model)	1	910920
29	Washer	2	350402
30	Key - Gear	1	909120
32	Seal - Shaft	1	330405*
34	Oil Cup (3/16" - No. 301 Gits Style R)	1	710805*
35	Jam Nut - Shaft (5/8 - 18)	1	922426
36	O-Ring - Cylinder (Buna-N)	1	701947*
	Pump Repair Kit		10029

N/A = Not Available

\* Parts Included in Pump Repair Kit

## ATTACHMENTS AND ACCESSORIES



REF. NO.	ATTACHMENTS	PART NO.
11A	Capscrew (3/16 - 18 x 1")	920203
50	Discharge Spout	700340
51	Bung Adapter	700307
53	Capscrew (3/8 - 16 x 1")	920331
54	Suction Pipe (1-1/4" x 40") (2pieces)	700602
55	Tank Washer	710857
56	Nozzle	700547
57	Nozzle Hanger	700324
58	Hose Assembly (1" x 89")	700852
62	Hose Adapter	908544
66	Vacuum Breaker Assembly	700177
67	Bushing Reducer (1-1/4 x 1")	908860

	ACCESSORIES	PART NO.
	Locking Device	10051
	Drip Pan	10054
	Mounting Bracket Kit	10062