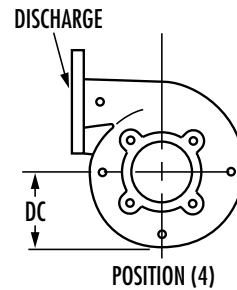
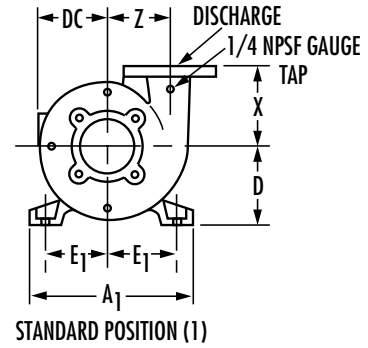
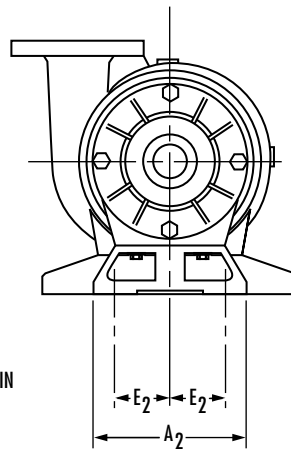
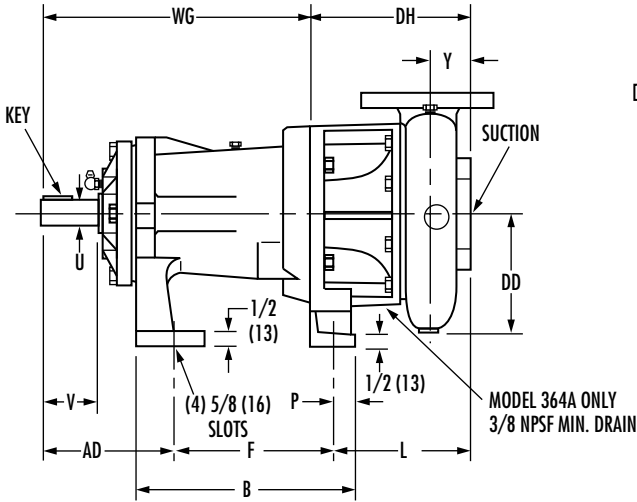


AURORA® MODEL 344A & 364A PUMPS

7" - 9"



FRAME	D CASE BORE	
	7	9
1	5-1/4 (133)	5-1/4 (133)
2	6-1/4 (158)	7 (177)
3	N/A	7 (177)

† 9" BORE MODEL 344A NO.1. POWER FRAME D = 6-1/4"

FRAME	A ₁	A ₂	344A		364A		E ₁	E ₂	F	P	U	V	AD	WG	KEY
			B	B	F	F									
1	10-3/4 (273)	7-3/8 (187)	8-1/16 (205)	9-5/16 (237)	4-1/8 (105)	2 5/8 (67)	5-13/16 (148)	7-1/16 (179)	1-5/16 (33)	7/8 (22)	2-1/8 (54)	5-1/8 (130)	10-5/16 (262)	3/16 SQ X 1-3/8 LG	
2	13-1/4 (337)	7 (178)	10-25/32 (274)	12 (305)	5-1/8 (130)	2 1/2 (64)	7-13/32 (188)	8-21/32 (220)	3/4 (19)	1-1/8 (29)	3-1/8 (79)	7-11/16 (195)	13-13/16 (351)	1/4 SQ X 1-3/4 LG	
3	13-1/4 (337)	7 (178)	10-25/32 (274)	12 (305)	5-1/8 (130)	2 1/2 (64)	7-13/32 (188)	8-21/32 (220)	3/4 (19)	1-1/8 (29)	3-1/8 (79)	7-11/16 (195)	13-13/16 (351)	1/4 SQ X 1-3/4 LG	

PUMPS WITH THREADED CONNECTIONS															
PUMP SIZE			X	Y	Z	DC	DD	344 DH		364 DH		344A L		364A L	
DISCHARGE	SUCTION	CASE BORE						FRAME 1	FRAME 2 & 3	FRAME 1	FRAME 2 & 3	FRAME 1	FRAME 2 & 3	FRAME 1	FRAME 2 & 3
1-1/4	1-1/2	7	5-1/4 (133)	2-7/16 (62)	4-3/16 (106)	4-15/16 (125)	5-3/16 (132)	7-3/16 (183)	N/A	10-1/4 (260)	N/A	7-9/16 (192)	N/A	9-3/8 (238)	N/A
1-1/4	1-1/2	9	6-5/8 (168)	2-9/16 (65)	5-3/8 (137)	6-3/16 (157)	6-3/8 (162)	7-1/4 (184)	N/A	10-5/16 (262)	N/A	7-5/8 (194)	N/A	9-7/16 (240)	N/A
1-1/2	2	7	5-3/8 (137)	2-1/2 (64)	4-5/16 (110)	5-1/8 (130)	5-3/8 (137)	7-5/16 (186)	N/A	10-3/8 (264)	N/A	7-11/16 (195)	N/A	9-1/2 (241)	N/A
1-1/2	2	9	6-3/4 (171)	2-5/8 (67)	5-1/2 (140)	6-5/16 (160)	6-9/16 (167)	7-3/8 (187)	8-3/8 (213)	10-7/16 (265)	11-1/4 (286)	7-3/4 (197)	7-1/8 (181)	9-9/16 (243)	8-3/4 (222)

PUMPS WITH ANSI-125-LB. FLANGED CONNECTIONS															
DISCHARGE	SUCTION	CASE BORE	X	Y	Z	DC	DD	344 DH FRAME 1	344 DH FRAME 2 & 3	364 DH FRAME 1	364 DH FRAME 2 & 3	344A L FRAME 1	344A L FRAME 2 & 3	364A L FRAME 1	364A L FRAME 2 & 3
2	2-1/2	7	5-5/8 (143)	1-7/8 (48)	4-9/16 (116)	5-3/8 (137)	5-13/16 (148)	6-13/16 (173)	7-13/16 (198)	9-7/8 (251)	10-11/16 (271)	6-3/16 (157)	6-9/16 (167)	8 (203)	8-3/16 (208)
2	2-1/2	9	7 (178)	1-7/8 (48)	5-11/16 (144)	6-1/2 (165)	6-7/8 (175)	6-3/4 (171)	7-3/4 (197)	9-13/16 (249)	10-5/8 (270)	6-1/8 (156)	6-1/8 (156)	7-15/16 (202)	8-1/8 (206)
2-1/2	3	7	5-7/8 (149)	2 (51)	4-13/16 (122)	5-13/16 (148)	6-1/4 (159)	7-1/16 (179)	8-1/16 (205)	10-1/8 (257)	10-15/16 (278)	6-7/16 (164)	6-13/16 (173)	8-1/4 (210)	8-7/16 (214)
2-1/2	3	9	7-1/4 (184)	2 (51)	5-15/16 (151)	6-3/4 (171)	7-1/4 (184)	7 (178)	8 (203)	N/A	10-7/8 (276)	6-3/8 (162)	6-3/4 (171)	N/A	8-3/8 (213)
3	4	9	7-1/2 (191)	2-1/8 (54)	6-1/8 (156)	6-7/8 (175)	7-7/16 (189)	7-1/4 (184)	8-1/4 (210)	N/A	11-1/8 (283)	6-5/8 (168)	7 (178)	N/A	8-5/8 (219)
4	4	7	6-1/2 (165)	2-1/2 (64)	5-1/2 (140)	6-7/16 (164)	7-5/16 (186)	7-15/16 (202)	8-15/16 (227)	11 (279)	11-13/16 (300)	7-5/16 (186)	7-11/16 (195)	9-1/8 (232)	9-5/16 (237)
4	5	9A	7-1/4 (184)	3-1/8 (79)	5-3/4 (146)	6-11/16 (170)	7-3/8 (187)	N/A	9-3/8 (238)	N/A	12-1/4 (311)	N/A	8-1/8 (206)	N/A	9-3/4 (248)
4	5	9B	7-3/4 (197)	2-5/8 (67)	6-5/8 (168)	8-1/16 (205)	8-11/16 (221)	N/A	9 (229)	N/A	11-7/8 (302)	N/A	7-3/4 (197)	N/A	9-3/8 (238)
6	6	9	8-1/4 (210)	2-3/4 (70)	7 (178)	8 (203)	9 (229)	N/A	9-1/4 (235)	N/A	12-1/8 (308)	N/A	8 (203)	N/A	9-5/8 (244)

NOTES:

- All dimensions in inches and (mm).
- Dimensions may vary ± 1/4 (6).
- Not for construction purposes unless certified.
- N/A = Not Applicable.
- Check discharge position, casing dimensions which exceed dimension "D" may require pads for the pump and/or motor.

AURORA® MODEL 344A & 364A PUMPS

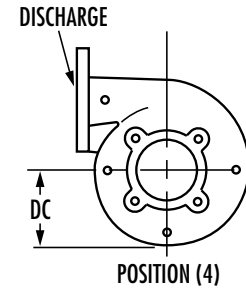
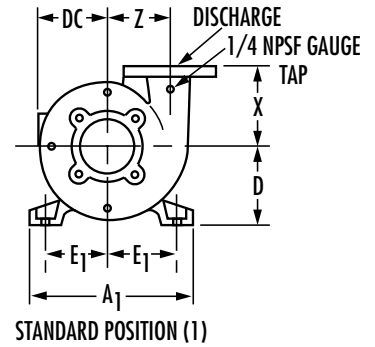
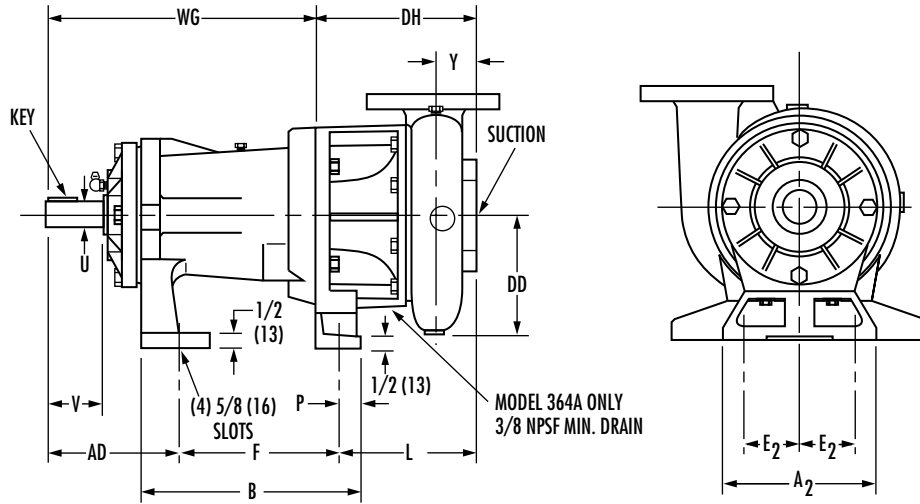
11" - 12"

Section 340/360 Page 207

Dated June 2013

Supersedes Section 340/360 Page 207

Dated March 2004



FRAME	D CASE BORE	
	11	12
2	7 (177)	7 (177)
3	7 (177)	7 (177)

FRAME	A ₁	A ₂	344A		364A		E ₁	E ₂	344A		364A		P	U	V	AD	WG	KEY
			B	B	F	F												
2	13-1/4 (337)	7 (178)	10-25/32 (274)	12 (305)	5-1/8 (130)	2-1/2 (64)	7-13/32 (188)	8-21/32 (220)	3/4 (19)	1-1/8 (29)	3-1/8 (79)	7-11/16 (195)	13-13/16 (351)	1/4 SQ X 1-3/4 LG				
3	13-1/4 (337)	7 (178)	10-25/32 (274)	12 (305)	5-1/8 (130)	2-1/2 (64)	7-13/32 (188)	8-21/32 (220)	3/4 (19)	1-1/8 (29)	3-1/8 (79)	7-11/16 (195)	13-13/16 (351)	1/4 SQ X 1-3/4 LG				

PUMPS WITH THREADED CONNECTIONS																
PUMP SIZE			X	Y	Z	DC	DD	344 DH		364 DH		344A L		364A L		
DISCHARGE	SUCTION	CASE BORE						FRAME 1	FRAME 2 & 3	FRAME 1	FRAME 2 & 3	FRAME 1	FRAME 2 & 3	FRAME 1	FRAME 2 & 3	FRAME 1
1-1/2	2	11	9 (229)	2-13/16 (71)	6-1/8 (156)	7-1/16 (179)	7-1/4 (184)	N/A	8-9/16 (217)	N/A	11-7/16 (291)	N/A	7-1/4 (184)	N/A	8-7/8 (225)	
1-1/2	2	12	7-3/4 (197)	2-3/4 (70)	7-1/16 (179)	8 (203)	8-1/4 (210)	N/A	8-5/8 (219)	N/A	11-1/2 (292)	N/A	7-3/8 (187)	N/A	9 (229)	
PUMPS WITH ANSI 125 LB. FLANGED CONNECTIONS																
2	2-1/2	12	8 (203)	1-7/8 (48)	7-3/16 (183)	8-3/16 (208)	8-1/2 (216)	N/A	7-7/8 (200)	N/A	10-3/4 (273)	N/A	6-5/8 (168)	N/A	8-1/4 (210)	
2	3	11	8 (203)	2-3/8 (60)	6-1/2 (165)	7 (178)	7-3/8 (187)	N/A	8-1/2 (216)	N/A	11-3/8 (289)	N/A	6-15/16 (176)	N/A	9-15/16 (252)	
2-1/2	3	12	8-1/4 (210)	2 (51)	7-3/8 (187)	8-3/8 (213)	8-3/4 (222)	N/A	8-1/8 (206)	N/A	11 (279)	N/A	6-7/8 (175)	N/A	8-1/2 (216)	
3	4	11	9 (229)	2-3/4 (70)	7 (178)	7-9/16 (192)	8-3/16 (208)	N/A	9-3/16 (233)	N/A	12-1/16 (306)	N/A	7-9/16 (192)	N/A	9-9/16 (243)	
3	4	12	8-1/2 (216)	2-1/8 (54)	7-9/16 (192)	8-7/16 (214)	8-15/16 (227)	N/A	8-3/8 (213)	N/A	11-1/4 (286)	N/A	7-1/8 (181)	N/A	8-3/4 (222)	
4	5	11	9 (229)	3 (76)	7-1/4 (184)	7-15/16 (202)	8-11/16 (221)	N/A	9-5/8 (244)	N/A	12-1/2 (318)	N/A	8 (203)	N/A	10 (254)	
4	5	12	8-3/4 (222)	2-5/8 (67)	7-15/16 (202)	8-7/8 (225)	9-9/16 (243)	N/A	9-1/8 (232)	N/A	12 (305)	N/A	7-7/8 (200)	N/A	9-1/2 (241)	
5	6	11	9 (229)	3-1/8 (79)	8-1/16 (205)	8-11/16 (221)	10-1/8 (257)	N/A	10-1/8 (257)	N/A	13 (330)	N/A	8-1/2 (216)	N/A	10-1/2 (267)	
5	6	12	9 (229)	2-7/8 (73)	8-5/16 (211)	9-1/4 (235)	10-1/8 (257)	N/A	9-5/8 (244)	N/A	12-1/2 (318)	N/A	8-3/8 (213)	N/A	10 (254)	
6	6	11	9-1/4 (235)	3-1/8 (79)	8-11/16 (221)	9-11/16 (246)	10-13/16 (275)	N/A	10-1/8 (257)	N/A	13 (330)	N/A	8-7/8 (225)	N/A	10-1/2 (267)	
6	6	12	9-1/4 (235)	3-1/8 (79)	8-11/16 (221)	9-11/16 (246)	10-13/16 (275)	N/A	10-1/8 (257)	N/A	13 (330)	N/A	8-7/8 (225)	N/A	10-1/2 (267)	

NOTES:

- All dimensions in inches and (mm).
- Dimensions may vary ± 1/4 (6).
- Not for construction purposes unless certified.
- N/A = Not Applicable.
- Check discharge position, casing dimensions which exceed dimension "D" may require pads for the pump and/or motor.