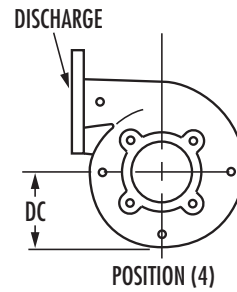
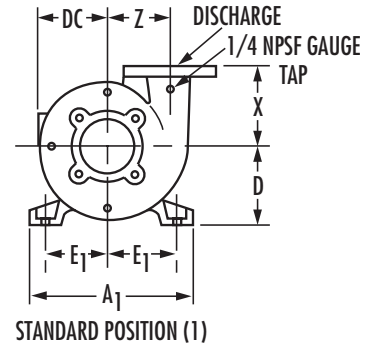
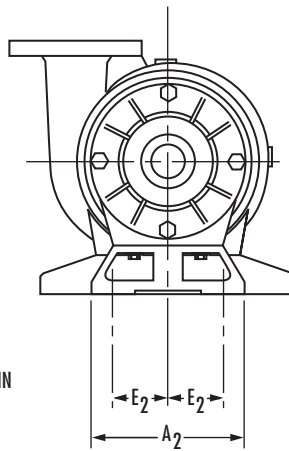
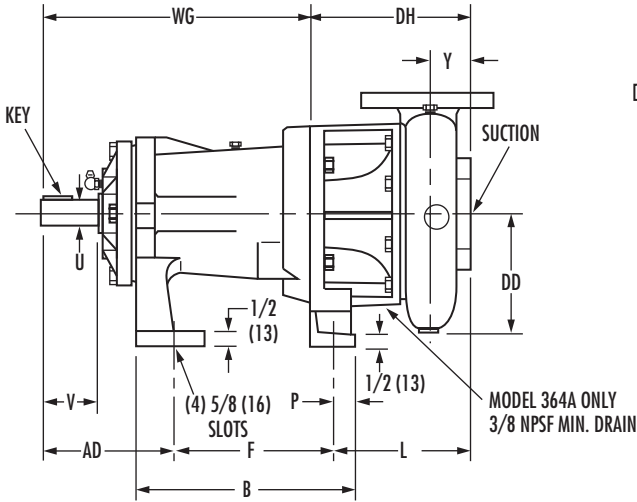


AURORA® MODEL 344A & 364A PUMPS

7" - 9"



| FRAME | D CASE BORE | |
|-------|-------------|-------------|
| | 7 | 9 |
| 1 | 5-1/4 (133) | 5-1/4 (133) |
| 2 | 6-1/4 (158) | 7 (177) |
| 3 | N/A | 7 (177) |

† 9" BORE MODEL 344A NO.1. POWER FRAME D = 6-1/4"

| FRAME | A ₁ | A ₂ | 344A | | E ₁ | E ₂ | 344A | | P | U | V | AD | WG | KEY |
|-------|----------------|----------------|----------------|--------------|----------------|----------------|---------------|---------------|-------------|------------|------------|---------------|----------------|--------------------|
| | | | B | B | | | F | F | | | | | | |
| 1 | 10-3/4 (273) | 7-3/8 (187) | 8-1/16 (205) | 9-5/16 (237) | 4-1/8 (105) | 2 5/8 (67) | 5-13/16 (148) | 7-1/16 (179) | 1-5/16 (33) | 7/8 (22) | 2-1/8 (54) | 5-1/8 (130) | 10-5/16 (262) | 3/16 SQ X 1-3/8 LG |
| 2 | 13-1/4 (337) | 7 (178) | 10-25/32 (274) | 12 (305) | 5-1/8 (130) | 2 1/2 (64) | 7-13/32 (188) | 8-21/32 (220) | 3/4 (19) | 1-1/8 (29) | 3-1/8 (79) | 7-11/16 (195) | 13-13/16 (351) | 1/4 SQ X 1-3/4 LG |
| 3 | 13-1/4 (337) | 7 (178) | 10-25/32 (274) | 12 (305) | 5-1/8 (130) | 2 1/2 (64) | 7-13/32 (188) | 8-21/32 (220) | 3/4 (19) | 1-1/8 (29) | 3-1/8 (79) | 7-11/16 (195) | 13-13/16 (351) | 1/4 SQ X 1-3/4 LG |

| PUMPS WITH THREADED CONNECTIONS | | | | | | | | | | | | | | | |
|---------------------------------|---------|-----------|-------------|-------------|--------------|---------------|--------------|--------------|-------------|---------------|--------------|---------------|-------------|--------------|-------------|
| PUMP SIZE | | | X | Y | Z | DC | DD | 344 DH | | 364 DH | | 344A L | | 364A L | |
| DISCHARGE | SUCTION | CASE BORE | | | | | | FRAME 1 | FRAME 2 & 3 | FRAME 1 | FRAME 2 & 3 | FRAME 1 | FRAME 2 & 3 | FRAME 1 | FRAME 2 & 3 |
| 1-1/4 | 1-1/2 | 7 | 5-1/4 (133) | 2-7/16 (62) | 4-3/16 (106) | 4-15/16 (125) | 5-3/16 (132) | 7-3/16 (183) | N/A | 10-1/4 (260) | N/A | 7-9/16 (192) | N/A | 9-3/8 (238) | N/A |
| 1-1/4 | 1-1/2 | 9 | 6-5/8 (168) | 2-9/16 (65) | 5-3/8 (137) | 6-3/16 (157) | 6-3/8 (162) | 7-1/4 (184) | N/A | 10-5/16 (262) | N/A | 7-5/8 (194) | N/A | 9-7/16 (240) | N/A |
| 1-1/2 | 2 | 7 | 5-3/8 (137) | 2-1/2 (64) | 4-5/16 (110) | 5-1/8 (130) | 5-3/8 (137) | 7-5/16 (186) | N/A | 10-3/8 (264) | N/A | 7-11/16 (195) | N/A | 9-1/2 (241) | N/A |
| 1-1/2 | 2 | 9 | 6-3/4 (171) | 2-5/8 (67) | 5-1/2 (140) | 6-5/16 (160) | 6-9/16 (167) | 7-3/8 (187) | 8-3/8 (213) | 10-7/16 (265) | 11-1/4 (286) | 7-3/4 (197) | 7-1/8 (181) | 9-9/16 (243) | 8-3/4 (222) |

| PUMPS WITH ANSI-125-LB. FLANGED CONNECTIONS | | | | | | | | | | | | | | | |
|---|---------|-----------|-------------|------------|---------------|---------------|---------------|---------------|---------------|---------------|----------------|--------------|---------------|---------------|--------------|
| DISCHARGE | SUCTION | CASE BORE | X | Y | Z | DC | DD | FRAME 1 | FRAME 2 & 3 | FRAME 1 | FRAME 2 & 3 | FRAME 1 | FRAME 2 & 3 | FRAME 1 | FRAME 2 & 3 |
| 2 | 2-1/2 | 7 | 5-5/8 (143) | 1-7/8 (48) | 4-9/16 (116) | 5-3/8 (137) | 5-13/16 (148) | 6-13/16 (173) | 7-13/16 (198) | 9-7/8 (251) | 10-11/16 (271) | 6-3/16 (157) | 6-9/16 (167) | 8 (203) | 8-3/16 (208) |
| 2 | 2-1/2 | 9 | 7 (178) | 1-7/8 (48) | 5-11/16 (144) | 6-1/2 (165) | 6-7/8 (175) | 6-3/4 (171) | 7-3/4 (197) | 9-13/16 (249) | 10-5/8 (270) | 6-1/8 (156) | 6-1/8 (156) | 7-15/16 (202) | 8-1/8 (206) |
| 2-1/2 | 3 | 7 | 5-7/8 (149) | 2 (51) | 4-13/16 (122) | 5-13/16 (148) | 6-1/4 (159) | 7-1/16 (179) | 8-1/16 (205) | 10-1/8 (257) | 10-15/16 (278) | 6-7/16 (164) | 6-13/16 (173) | 8-1/4 (210) | 8-7/16 (214) |
| 2-1/2 | 3 | 9 | 7-1/4 (184) | 2 (51) | 5-15/16 (151) | 6-3/4 (171) | 7-1/4 (184) | 7 (178) | 8 (203) | N/A | 10-7/8 (276) | 6-3/8 (162) | 6-3/4 (171) | N/A | 8-3/8 (213) |
| 3 | 4 | 9 | 7-1/2 (191) | 2-1/8 (54) | 6-1/8 (156) | 6-7/8 (175) | 7-7/16 (189) | 7-1/4 (184) | 8-1/4 (210) | N/A | 11-1/8 (283) | 6-5/8 (168) | 7 (178) | N/A | 8-5/8 (219) |
| 4 | 4 | 7 | 6-1/2 (165) | 2-1/2 (64) | 5-1/2 (140) | 6-7/16 (164) | 7-5/16 (186) | 7-15/16 (202) | 8-15/16 (227) | 11 (279) | 11-13/16 (300) | 7-5/16 (186) | 7-11/16 (195) | 9-1/8 (232) | 9-5/16 (237) |
| 4 | 5 | 9A | 7-1/4 (184) | 3-1/8 (79) | 5-3/4 (146) | 6-11/16 (170) | 7-3/8 (187) | N/A | 9-3/8 (238) | N/A | 12-1/4 (311) | N/A | 8-1/8 (206) | N/A | 9-3/4 (248) |
| 4 | 5 | 9B | 7-3/4 (197) | 2-5/8 (67) | 6-5/8 (168) | 8-1/16 (205) | 8-11/16 (221) | N/A | 9 (229) | N/A | 11-7/8 (302) | N/A | 7-3/4 (197) | N/A | 9-3/8 (238) |
| 6 | 6 | 9 | 8-1/4 (210) | 2-3/4 (70) | 7 (178) | 8 (203) | 9 (229) | N/A | 9-1/4 (235) | N/A | 12-1/8 (308) | N/A | 8 (203) | N/A | 9-5/8 (244) |

NOTES:

- All dimensions in inches and (mm).
- Dimensions may vary ± 1/4 (6).
- Not for construction purposes unless certified.
- N/A = Not Applicable.
- Check discharge position, casing dimensions which exceed dimension "D" may require pads for the pump and/or motor.

AURORA® MODEL 344A & 364A PUMPS

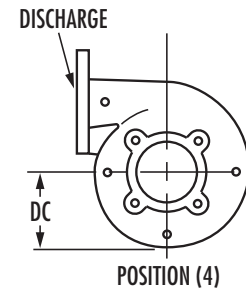
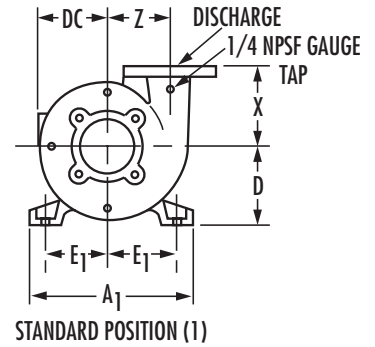
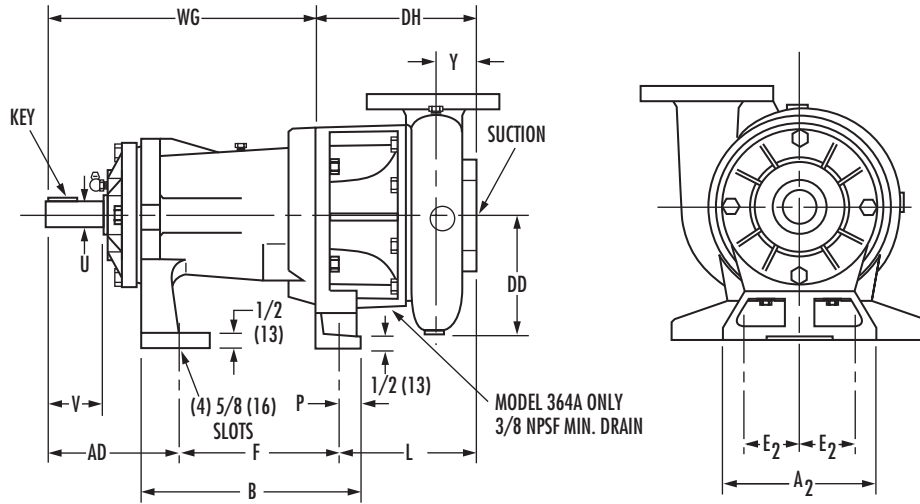
11" - 12"

Section 340/360 Page 207

Dated June 2013

Supersedes Section 340/360 Page 207

Dated March 2004



| FRAME | D CASE BORE | |
|-------|-------------|------------|
| | 11 | 12 |
| 2 | 7 (177) | 7 (177) |
| 3 | 7 (177) | 7 (177) |

| FRAME | A ₁ | A ₂ | 344A | | 364A | | E ₁ | E ₂ | 344A | | 364A | | P | U | V | AD | WG | KEY |
|-------|-----------------|----------------|-------------------|-------------|----------------|---------------|------------------|------------------|-------------|---------------|---------------|------------------|-------------------|-------------------|---|----|----|-----|
| | | | B | B | F | F | | | | | | | | | | | | |
| 2 | 13-1/4 (337) | 7 (178) | 10-25/32 (274) | 12 (305) | 5-1/8 (130) | 2-1/2 (64) | 7-13/32 (188) | 8-21/32 (220) | 3/4 (19) | 1-1/8 (29) | 3-1/8 (79) | 7-11/16 (195) | 13-13/16 (351) | 1/4 SQ X 1-3/4 LG | | | | |
| 3 | 13-1/4 (337) | 7 (178) | 10-25/32 (274) | 12 (305) | 5-1/8 (130) | 2-1/2 (64) | 7-13/32 (188) | 8-21/32 (220) | 3/4 (19) | 1-1/8 (29) | 3-1/8 (79) | 7-11/16 (195) | 13-13/16 (351) | 1/4 SQ X 1-3/4 LG | | | | |

| PUMPS WITH THREADED CONNECTIONS | | | | | | | | | | | | | | | | |
|---|----------|-----------|-------------------|----------------------|-------------------|------------------------|------------------------|------------|------------------------|------------|-------------------------|------------|------------------------|------------|------------------------|---------|
| PUMP SIZE | | | X | Y | Z | DC | DD | 344 DH | | 364 DH | | 344A L | | 364A L | | |
| DISCHARGE | SUCTION | CASE BORE | | | | | | FRAME 1 | FRAME 2 & 3 | FRAME 1 | FRAME 2 & 3 | FRAME 1 | FRAME 2 & 3 | FRAME 1 | FRAME 2 & 3 | FRAME 1 |
| 1-1/2 | 2 | 11 | 9 (229) | 2-13/16 (71) | 6-1/8 (156) | 7-1/16 (179) | 7-1/4 (184) | N/A | 8-9/16 (217) | N/A | 11-7/16 (291) | N/A | 7-1/4 (184) | N/A | 8-7/8 (225) | |
| 1-1/2 | 2 | 12 | 7-3/4 (197) | 2-3/4 (70) | 7-1/16 (179) | 8 (203) | 8-1/4 (210) | N/A | 8-5/8 (219) | N/A | 11-1/2 (292) | N/A | 7-3/8 (187) | N/A | 9 (229) | |
| PUMPS WITH ANSI 125 LB. FLANGED CONNECTIONS | | | | | | | | | | | | | | | | |
| 2 | 2-1/2 | 12 | 8 (203) | 1-7/8 (48) | 7-3/16 (183) | 8-3/16 (208) | 8-1/2 (216) | N/A | 7-7/8 (200) | N/A | 10-3/4 (273) | N/A | 6-5/8 (168) | N/A | 8-1/4 (210) | |
| 2 | 3 | 11 | 8 (203) | 2-3/8 (60) | 6-1/2 (165) | 7 (178) | 7-3/8 (187) | N/A | 8-1/2 (216) | N/A | 11-3/8 (289) | N/A | 6-15/16 (176) | N/A | 9-15/16 (252) | |
| 2-1/2 | 3 | 12 | 8-1/4 (210) | 2 (51) | 7-3/8 (187) | 8-3/8 (213) | 8-3/4 (222) | N/A | 8-1/8 (206) | N/A | 11 (279) | N/A | 6-7/8 (175) | N/A | 8-1/2 (216) | |
| 3 | 4 | 11 | 9 (229) | 2-3/4 (70) | 7 (178) | 7-9/16 (192) | 8-3/16 (208) | N/A | 9-3/16 (233) | N/A | 12-1/16 (306) | N/A | 7-9/16 (192) | N/A | 9-9/16 (243) | |
| 3 | 4 | 12 | 8-1/2 (216) | 2-1/8 (54) | 7-9/16 (192) | 8-7/16 (214) | 8-15/16 (227) | N/A | 8-3/8 (213) | N/A | 11-1/4 (286) | N/A | 7-1/8 (181) | N/A | 8-3/4 (222) | |
| 4 | 5 | 11 | 9 (229) | 3 (76) | 7-1/4 (184) | 7-15/16 (202) | 8-11/16 (221) | N/A | 9-5/8 (244) | N/A | 12-1/2 (318) | N/A | 8 (203) | N/A | 10 (254) | |
| 4 | 5 | 12 | 8-3/4 (222) | 2-5/8 (67) | 7-15/16 (202) | 8-7/8 (225) | 9-9/16 (243) | N/A | 9-1/8 (232) | N/A | 12 (305) | N/A | 7-7/8 (200) | N/A | 9-1/2 (241) | |
| 5 | 6 | 11 | 9 (229) | 3-1/8 (79) | 8-1/16 (205) | 8-11/16 (221) | 10-1/8 (257) | N/A | 10-1/8 (257) | N/A | 13 (330) | N/A | 8-1/2 (216) | N/A | 10-1/2 (267) | |
| 5 | 6 | 12 | 9 (229) | 2-7/8 (73) | 8-5/16 (211) | 9-1/4 (235) | 10-1/8 (257) | N/A | 9-5/8 (244) | N/A | 12-1/2 (318) | N/A | 8-3/8 (213) | N/A | 10 (254) | |
| 6 | 6 | 11 | 9-1/4 (235) | 3-1/8 (79) | 8-11/16 (221) | 9-11/16 (246) | 10-13/16 (275) | N/A | 10-1/8 (257) | N/A | 13 (330) | N/A | 8-7/8 (225) | N/A | 10-1/2 (267) | |
| 6 | 6 | 12 | 9-1/4 (235) | 3-1/8 (79) | 8-11/16 (221) | 9-11/16 (246) | 10-13/16 (275) | N/A | 10-1/8 (257) | N/A | 13 (330) | N/A | 8-7/8 (225) | N/A | 10-1/2 (267) | |

NOTES:

- All dimensions in inches and (mm).
- Dimensions may vary ± 1/4 (6).
- Not for construction purposes unless certified.
- N/A = Not Applicable.
- Check discharge position, casing dimensions which exceed dimension "D" may require pads for the pump and/or motor.