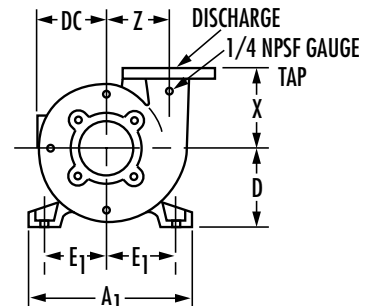
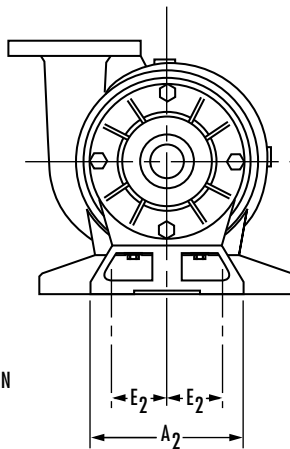
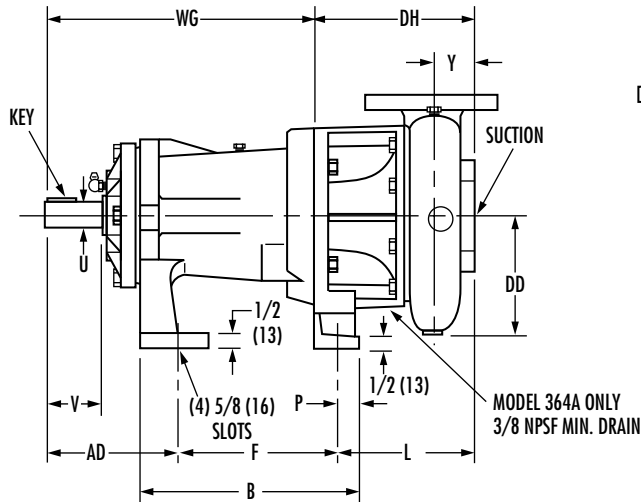
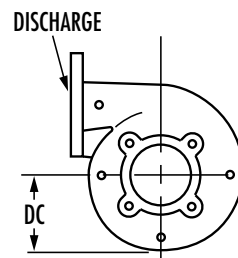


# AURORA® MODEL 344A & 364A PUMPS

7" - 9"



STANDARD POSITION (1)



POSITION (4)

| FRAME | D CASE BORE |             |
|-------|-------------|-------------|
|       | 7           | 9           |
| 1     | 5-1/4 (133) | 5-1/4 (133) |
| 2     | 6-1/4 (158) | 7 (177)     |
| 3     | N/A         | 7 (177)     |

† 9" BORE MODEL 344A NO.1. POWER FRAME D = 6-1/4"

| FRAME | A <sub>1</sub> | A <sub>2</sub> | 344A           | 364A         | E <sub>1</sub> | E <sub>2</sub> | 344A          | 364A          | P           | U          | V          | AD            | WG             | KEY                |
|-------|----------------|----------------|----------------|--------------|----------------|----------------|---------------|---------------|-------------|------------|------------|---------------|----------------|--------------------|
|       |                |                | B              | B            |                |                | F             | F             |             |            |            |               |                |                    |
| 1     | 10-3/4 (273)   | 7-3/8 (187)    | 8-1/16 (205)   | 9-5/16 (237) | 4-1/8 (105)    | 2 5/8 (67)     | 5-13/16 (148) | 7-1/16 (179)  | 1-5/16 (33) | 7/8 (22)   | 2-1/8 (54) | 5-1/8 (130)   | 10-5/16 (262)  | 3/16 SQ X 1-3/8 LG |
| 2     | 13-1/4 (337)   | 7 (178)        | 10-25/32 (274) | 12 (305)     | 5-1/8 (130)    | 2 1/2 (64)     | 7-13/32 (188) | 8-21/32 (220) | 3/4 (19)    | 1-1/8 (29) | 3-1/8 (79) | 7-11/16 (195) | 13-13/16 (351) | 1/4 SQ X 1-3/4 LG  |
| 3     | 13-1/4 (337)   | 7 (178)        | 10-25/32 (274) | 12 (305)     | 5-1/8 (130)    | 2 1/2 (64)     | 7-13/32 (188) | 8-21/32 (220) | 3/4 (19)    | 1-1/8 (29) | 3-1/8 (79) | 7-11/16 (195) | 13-13/16 (351) | 1/4 SQ X 1-3/4 LG  |

| PUMPS WITH THREADED CONNECTIONS |          |           |                    |                   |                    |                     |                     |                    |                    |                      |                     |                    |                    |                     |                    |
|---------------------------------|----------|-----------|--------------------|-------------------|--------------------|---------------------|---------------------|--------------------|--------------------|----------------------|---------------------|--------------------|--------------------|---------------------|--------------------|
| PUMP SIZE                       |          |           | X                  | Y                 | Z                  | DC                  | DD                  | 344 DH             |                    | 364 DH               |                     | 344A L             |                    | 364A L              |                    |
| DISCHARGE                       | SUCTION  | CASE BORE |                    |                   |                    |                     |                     | FRAME 1            | FRAME 2 & 3        | FRAME 1              | FRAME 2 & 3         | FRAME 1            | FRAME 2 & 3        | FRAME 1             | FRAME 2 & 3        |
| 1-1/4                           | 1-1/2    | 7         | 5-1/4 (133)        | 2-7/16 (62)       | 4-3/16 (106)       | 4-15/16 (125)       | 5-3/16 (132)        | 7-3/16 (183)       | N/A                | 10-1/4 (260)         | N/A                 | 7-9/16 (192)       | N/A                | 9-3/8 (238)         | N/A                |
| 1-1/4                           | 1-1/2    | 9         | 6-5/8 (168)        | 2-9/16 (65)       | 5-3/8 (137)        | 6-3/16 (162)        | 6-3/8 (162)         | 7-1/4 (184)        | N/A                | 10-5/16 (262)        | N/A                 | 7-5/8 (194)        | N/A                | 9-7/16 (240)        | N/A                |
| 1-1/2                           | 2        | 7         | 5-3/8 (137)        | 2-1/2 (64)        | 4-5/16 (110)       | 5-1/8 (130)         | 5-3/8 (137)         | 7-5/16 (186)       | N/A                | 10-3/8 (264)         | N/A                 | 7-11/16 (195)      | N/A                | 9-1/2 (241)         | N/A                |
| <b>1-1/2</b>                    | <b>2</b> | <b>9</b>  | <b>6-3/4 (171)</b> | <b>2-5/8 (67)</b> | <b>5-1/2 (140)</b> | <b>6-5/16 (160)</b> | <b>6-9/16 (167)</b> | <b>7-3/8 (187)</b> | <b>8-3/8 (213)</b> | <b>10-7/16 (265)</b> | <b>11-1/4 (286)</b> | <b>7-3/4 (197)</b> | <b>7-1/8 (181)</b> | <b>9-9/16 (243)</b> | <b>8-3/4 (222)</b> |

| PUMPS WITH ANSI-125-LB. FLANGED CONNECTIONS |         |           |             |            |               |               |               |               |               |               |                |              |               |               |              |
|---|---------|-----------|-------------|------------|---------------|---------------|---------------|---------------|---------------|---------------|----------------|--------------|---------------|---------------|--------------|
| DISCHARGE                                   | SUCTION | CASE BORE | X           | Y          | Z             | DC            | DD            | 344 DH        | 364 DH        | 344A L        | 364A L         | 344A L       | 364A L        | 344A L        | 364A L       |
| 2   | 2-1/2   | 7         | 5-5/8 (143) | 1-7/8 (48) | 4-9/16 (116)  | 5-3/8 (137)   | 5-13/16 (148) | 6-13/16 (173) | 7-13/16 (198) | 9-7/8 (251)   | 10-11/16 (271) | 6-3/16 (157) | 6-9/16 (167)  | 8 (203)       | 8-3/16 (208) |
| 2   | 2-1/2   | 9         | 7 (178)     | 1-7/8 (48) | 5-11/16 (144) | 6-1/2 (165)   | 6-7/8 (175)   | 6-3/4 (171)   | 7-3/4 (197)   | 9-13/16 (249) | 10-5/8 (270)   | 6-1/8 (156)  | 6-1/8 (156)   | 7-15/16 (202) | 8-1/8 (206)  |
| 2-1/2                                       | 3       | 7         | 5-7/8 (149) | 2 (51)     | 4-13/16 (122) | 5-13/16 (148) | 6-1/4 (159)   | 7-1/16 (179)  | 8-1/16 (205)  | 10-1/8 (257)  | 10-15/16 (278) | 6-7/16 (164) | 6-13/16 (173) | 8-1/4 (210)   | 8-7/16 (214) |
| 2-1/2                                       | 3       | 9         | 7-1/4 (184) | 2 (51)     | 5-15/16 (151) | 6-3/4 (171)   | 7-1/4 (184)   | 7 (178)       | 8 (203)       | N/A           | 10-7/8 (276)   | 6-3/8 (162)  | 6-3/4 (171)   | N/A           | 8-3/8 (213)  |
| 3   | 4       | 9         | 7-1/2 (191) | 2-1/8 (54) | 6-1/8 (156)   | 6-7/8 (175)   | 7-7/16 (189)  | 7-1/4 (184)   | 8-1/4 (210)   | N/A           | 11-1/8 (283)   | 6-5/8 (168)  | 7 (178)       | N/A           | 8-5/8 (219)  |
| 4   | 4       | 7         | 6-1/2 (165) | 2-1/2 (64) | 5-1/2 (140)   | 6-7/16 (164)  | 7-5/16 (186)  | 7-15/16 (202) | 8-15/16 (227) | 11 (279)      | 11-13/16 (300) | 7-5/16 (186) | 7-11/16 (195) | 9-1/8 (232)   | 9-5/16 (237) |
| 4   | 5       | 9A        | 7-1/4 (184) | 3-1/8 (79) | 5-3/4 (146)   | 6-11/16 (170) | 7-3/8 (187)   | N/A           | 9-3/8 (238)   | N/A           | 12-1/4 (311)   | N/A          | 8-1/8 (206)   | N/A           | 9-3/4 (248)  |
| 4   | 5       | 9B        | 7-3/4 (197) | 2-5/8 (67) | 6-5/8 (168)   | 8-1/16 (205)  | 8-11/16 (221) | N/A           | 9 (229)       | N/A           | 11-7/8 (302)   | N/A          | 7-3/4 (197)   | N/A           | 9-3/8 (238)  |
| 6   | 6       | 9         | 8-1/4 (210) | 2-3/4 (70) | 7 (178)       | 8 (203)       | 9 (229)       | N/A           | 9-1/4 (235)   | N/A           | 12-1/8 (308)   | N/A          | 8 (203)       | N/A           | 9-5/8 (244)  |

NOTES:

- All dimensions in inches and (mm).
- Dimensions may vary ± 1/4 (6).
- Not for construction purposes unless certified.
- N/A = Not Applicable.
- Check discharge position, casing dimensions which exceed dimension "D" may require pads for the pump and/or motor.

# AURORA® MODEL 344A & 364A PUMPS

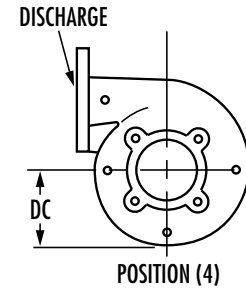
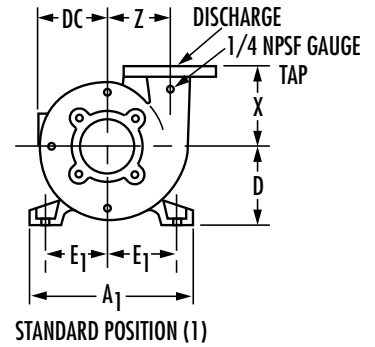
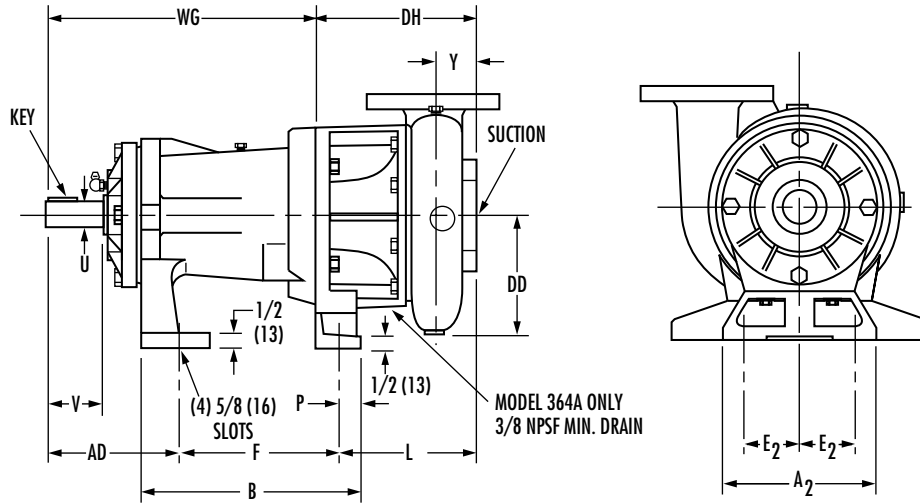
## 11" - 12"

Section 340/360 Page 207

Dated June 2013

Supersedes Section 340/360 Page 207

Dated March 2004



| FRAME | D CASE BORE |            |
|-------|-------------|------------|
|       | 11          | 12         |
| 2     | 7<br>(177)  | 7<br>(177) |
| 3     | 7<br>(177)  | 7<br>(177) |

| FRAME | A <sub>1</sub>  | A <sub>2</sub> | 344A              |             | 364A           |               | 344A             |                  | 364A        |               | P             | U                | V                 | AD                | WG | KEY |
|-------|-----------------|----------------|-------------------|-------------|----------------|---------------|------------------|------------------|-------------|---------------|---------------|------------------|-------------------|-------------------|----|-----|
|       |                 |                | B                 | B           | F              | F             |                  |                  |             |               |               |                  |                   |                   |    |     |
| 2     | 13-1/4<br>(337) | 7<br>(178)     | 10-25/32<br>(274) | 12<br>(305) | 5-1/8<br>(130) | 2-1/2<br>(64) | 7-13/32<br>(188) | 8-21/32<br>(220) | 3/4<br>(19) | 1-1/8<br>(29) | 3-1/8<br>(79) | 7-11/16<br>(195) | 13-13/16<br>(351) | 1/4 SQ X 1-3/4 LG |    |     |
| 3     | 13-1/4<br>(337) | 7<br>(178)     | 10-25/32<br>(274) | 12<br>(305) | 5-1/8<br>(130) | 2-1/2<br>(64) | 7-13/32<br>(188) | 8-21/32<br>(220) | 3/4<br>(19) | 1-1/8<br>(29) | 3-1/8<br>(79) | 7-11/16<br>(195) | 13-13/16<br>(351) | 1/4 SQ X 1-3/4 LG |    |     |

| PUMPS WITH THREADED CONNECTIONS             |         |           |                |                 |                  |                  |                   |         |                 |         |                  |         |                  |         |                  |
|---|---------|-----------|----------------|-----------------|------------------|------------------|-------------------|---------|-----------------|---------|------------------|---------|------------------|---------|------------------|
| PUMP SIZE                                   |         |           | X              | Y               | Z                | DC               | DD                | 344 DH  |                 | 364 DH  |                  | 344A L  |                  | 364A L  |                  |
| DISCHARGE                                   | SUCTION | CASE BORE |                |                 |                  |                  |                   | FRAME 1 | FRAME 2 & 3     | FRAME 1 | FRAME 2 & 3      | FRAME 1 | FRAME 2 & 3      | FRAME 1 | FRAME 2 & 3      |
| 1-1/2                                       | 2       | 11        | 9<br>(229)     | 2-13/16<br>(71) | 6-1/8<br>(156)   | 7-1/16<br>(179)  | 7-1/4<br>(184)    | N/A     | 8-9/16<br>(217) | N/A     | 11-7/16<br>(291) | N/A     | 7-1/4<br>(184)   | N/A     | 8-7/8<br>(225)   |
| 1-1/2                                       | 2       | 12        | 7-3/4<br>(197) | 2-3/4<br>(70)   | 7-1/16<br>(179)  | 8<br>(203)       | 8-1/4<br>(210)    | N/A     | 8-5/8<br>(219)  | N/A     | 11-1/2<br>(292)  | N/A     | 7-3/8<br>(187)   | N/A     | 9<br>(229)       |
| PUMPS WITH ANSI 125 LB. FLANGED CONNECTIONS |         |           |                |                 |                  |                  |                   |         |                 |         |                  |         |                  |         |                  |
| 2   | 2-1/2   | 12        | 8<br>(203)     | 1-7/8<br>(48)   | 7-3/16<br>(183)  | 8-3/16<br>(208)  | 8-1/2<br>(216)    | N/A     | 7-7/8<br>(200)  | N/A     | 10-3/4<br>(273)  | N/A     | 6-5/8<br>(168)   | N/A     | 8-1/4<br>(210)   |
| 2   | 3       | 11        | 8<br>(203)     | 2-3/8<br>(60)   | 6-1/2<br>(165)   | 7<br>(178)       | 7-3/8<br>(187)    | N/A     | 8-1/2<br>(216)  | N/A     | 11-3/8<br>(289)  | N/A     | 6-15/16<br>(176) | N/A     | 9-15/16<br>(252) |
| 2-1/2                                       | 3       | 12        | 8-1/4<br>(210) | 2<br>(51)       | 7-3/8<br>(187)   | 8-3/8<br>(213)   | 8-3/4<br>(222)    | N/A     | 8-1/8<br>(206)  | N/A     | 11<br>(279)      | N/A     | 6-7/8<br>(175)   | N/A     | 8-1/2<br>(216)   |
| 3   | 4       | 11        | 9<br>(229)     | 2-3/4<br>(70)   | 7<br>(178)       | 7-9/16<br>(192)  | 8-3/16<br>(208)   | N/A     | 9-3/16<br>(233) | N/A     | 12-1/16<br>(306) | N/A     | 7-9/16<br>(192)  | N/A     | 9-9/16<br>(243)  |
| 3   | 4       | 12        | 8-1/2<br>(216) | 2-1/8<br>(54)   | 7-9/16<br>(192)  | 8-7/16<br>(214)  | 8-15/16<br>(227)  | N/A     | 8-3/8<br>(213)  | N/A     | 11-1/4<br>(286)  | N/A     | 7-1/8<br>(181)   | N/A     | 8-3/4<br>(222)   |
| 4   | 5       | 11        | 9<br>(229)     | 3<br>(76)       | 7-1/4<br>(184)   | 7-15/16<br>(202) | 8-11/16<br>(221)  | N/A     | 9-5/8<br>(244)  | N/A     | 12-1/2<br>(318)  | N/A     | 8<br>(203)       | N/A     | 10<br>(254)      |
| 4   | 5       | 12        | 8-3/4<br>(222) | 2-5/8<br>(67)   | 7-15/16<br>(202) | 8-7/8<br>(225)   | 9-9/16<br>(243)   | N/A     | 9-1/8<br>(232)  | N/A     | 12<br>(305)      | N/A     | 7-7/8<br>(200)   | N/A     | 9-1/2<br>(241)   |
| 5   | 6       | 11        | 9<br>(229)     | 3-1/8<br>(79)   | 8-1/16<br>(205)  | 8-11/16<br>(221) | 10-1/8<br>(257)   | N/A     | 10-1/8<br>(257) | N/A     | 13<br>(330)      | N/A     | 8-1/2<br>(216)   | N/A     | 10-1/2<br>(267)  |
| 5   | 6       | 12        | 9<br>(229)     | 2-7/8<br>(73)   | 8-5/16<br>(211)  | 9-1/4<br>(235)   | 10-1/8<br>(257)   | N/A     | 9-5/8<br>(244)  | N/A     | 12-1/2<br>(318)  | N/A     | 8-3/8<br>(213)   | N/A     | 10<br>(254)      |
| 6   | 6       | 11        | 9-1/4<br>(235) | 3-1/8<br>(79)   | 8-11/16<br>(221) | 9-11/16<br>(246) | 10-13/16<br>(275) | N/A     | 10-1/8<br>(257) | N/A     | 13<br>(330)      | N/A     | 8-7/8<br>(225)   | N/A     | 10-1/2<br>(267)  |
| 6   | 6       | 12        | 9-1/4<br>(235) | 3-1/8<br>(79)   | 8-11/16<br>(221) | 9-11/16<br>(246) | 10-13/16<br>(275) | N/A     | 10-1/8<br>(257) | N/A     | 13<br>(330)      | N/A     | 8-7/8<br>(225)   | N/A     | 10-1/2<br>(267)  |

NOTES:

- All dimensions in inches and (mm).
- Dimensions may vary ± 1/4 (6).
- Not for construction purposes unless certified.
- N/A = Not Applicable.
- Check discharge position, casing dimensions which exceed dimension "D" may require pads for the pump and/or motor.