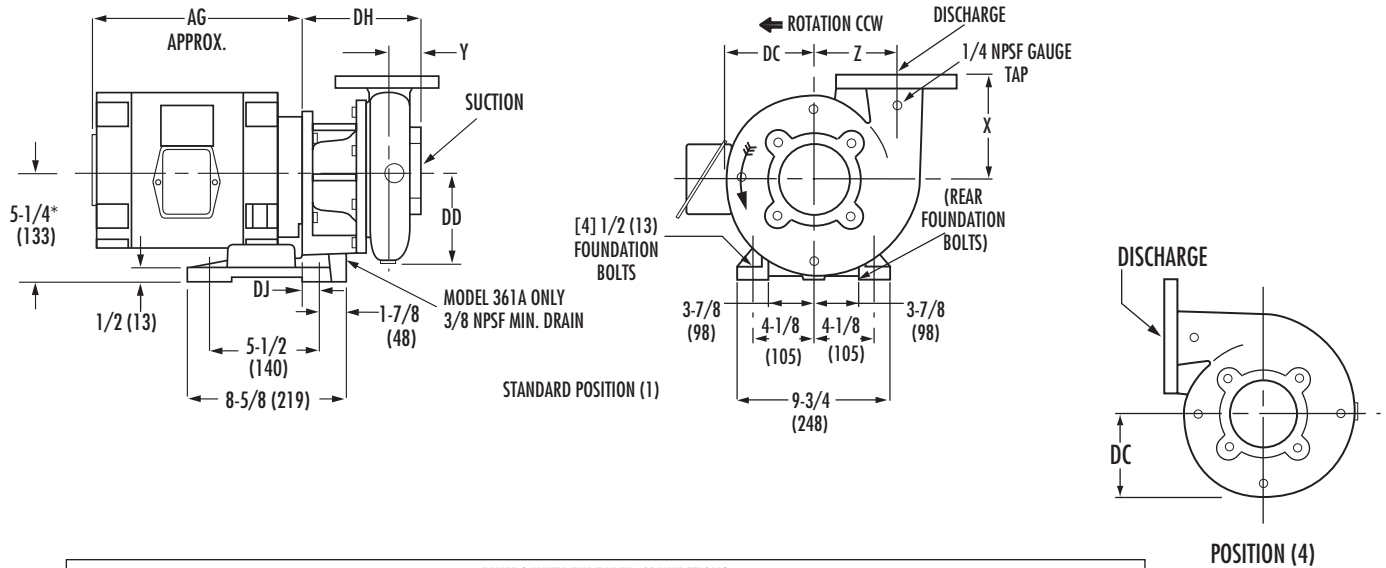


# AURORA® MODEL 341A & 361A PUMPS

## JM & JP MOTOR FRAMES

### 143 THROUGH 184



PUMPS WITH THREADED CONNECTIONS											
DISCHARGE	SUCTION	CASE BORE	X	Y	Z	DC	DD	DH		DJ	
								341A	361A	341A	361A
1-1/4	1-1/2	7	5-1/4 (133)	2-7/16 (62)	4-3/16 (106)	4-15/16 (125)	5-3/16 (132)	7-3/16 (183)	10-1/4 (266)		
1-1/4	1-1/2	9	6-5/8 (168)	2-9/16 (65)	5-3/8 (136)	6-3/16 (157)	6-3/8 (162)	7-1/4 (184)	10-5/16 (261)		
1-1/2	2	7	5-3/8 (136)	2-1/2 (63)	4-5/16 (109)	5-1/8 (130)	5-3/8 (136)	7-5/16 (186)	10-3/8 (263)		
1-1/2	2	9	6-3/4 (171)	2-5/8 (67)	5-1/2 (140)	6-5/16 (160)	6-9/16 (167)	7-3/8 (187)	10-7/16 (262)		
PUMPS WITH AM. STD. 125 LB. FLANGED CONNECTIONS											
2	2-1/2	7	5-5/8 (143)	1-7/8 (48)	4-9/16 (116)	5-3/8 (136)	5-13/16 (148)	6-13/16 (173)	9-7/8 (250)	5/8 (16)	1-7/8 (48)
2	2-1/2	9	7 (178)	1-7/8 (48)	5-11/16 (144)	6-1/2 (165)	6-7/8 (175)	6-3/4 (171)	9-13/16 (249)		
2-1/2	3	7	5-7/8 (149)	2 (51)	4-13/16 (122)	5-13/16 (148)	6-1/4 (159)	7-1/16 (179)	10-1/8 (257)		
2-1/2	3	9	7-1/4 (184)	2 (51)	5-15/16 (151)	6-3/4 (171)	7-1/4 (184)	7 (178)	10-1/16 (255)		
3	4	9	7-1/2 (190)	2-1/8 (54)	6-1/8 (156)	6-7/8 (175)	7-7/16 (189)	7-1/4 (184)	10-5/16 (261)		
4	4	7	6-1/2 (165)	2-1/2 (63)	5-1/2 (140)	6-7/16 (163)	7-5/16 (186)	7-15/16 (202)	11 (279)		
4	5	9A	7-1/4 (184)	3-1/8 (79)	5-3/4 (146)	6-11/16 (169)	7-3/8 (187)	8-3/8 (212)	11-7/16 (290)		
4	5	9B	7-3/4 (196)	2-5/8 (66)	6-5/8 (168)	8-1/16 (204)	8-11/16 (220)	8 (203)	11 (279)		

**JM OR JP**

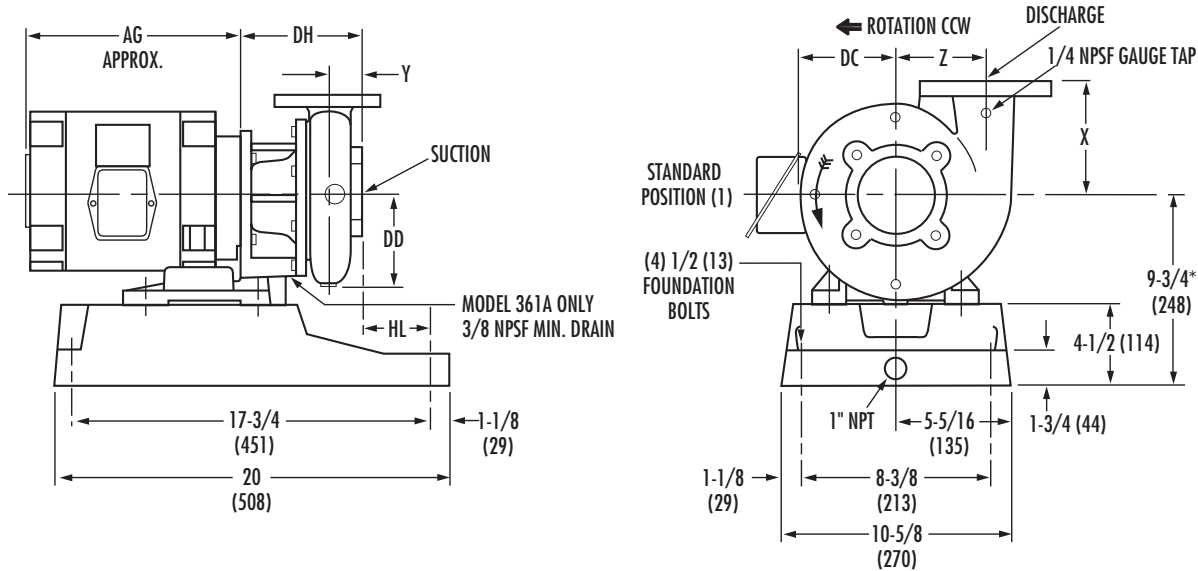
FRAME	AG
143	10 (254)
145	11 (279)
182	11 (279)
184	12 (305)

**NOTES:**

- All dimensions in inches and (mm).
  - Dimensions may vary ± 1/4 (6).
  - Not for construction purposes unless certified.
  - Check discharge position. Casing dimension which exceed 5-1/4 (133) height may require pads for the support.
  - Conduit box is shown in approximate location. Dimensions are not specified as they vary with each motor manufacturer.
  - Model 341A uses JM motor frames.  
Model 361A uses JP motor frames.
- \* 6-1/4 (159) for 9 (229) case bore pumps (Model 341A only).

# AURORA® MODEL 341A & 361A PUMPS

## ON CAST IRON BASE JM & JP MOTOR FRAMES 143 THROUGH 184



PUMPS WITH THREADED CONNECTIONS											
DISCHARGE	SUCTION	CASE BORE	X	Y	Z	DC	DD	DH		HL	
								341A	361A	341A	361A
1-1/4	1-1/2	7	5-1/4 (133)	2-7/16 (62)	4-3/16 (106)	4-15/16 (125)	5-3/16 (132)	7-3/16 (183)	10-1/4 (260)	3-3/16 (81)	1-3/8 (35)
<b>1-1/4</b>	<b>1-1/2</b>	<b>9</b>	<b>6-5/8 (168)</b>	<b>2-9/16 (65)</b>	<b>5-3/8 (136)</b>	<b>6-3/16 (157)</b>	<b>6-3/8 (162)</b>	<b>7-1/4 (184)</b>	<b>10-5/16 (262)</b>	<b>3-1/8 (79)</b>	<b>1-5/16 (33)</b>
1-1/2	2	7	5-3/8 (136)	2-1/2 (63)	4-5/16 (109)	5-1/8 (130)	5-3/8 (136)	7-5/16 (186)	10-3/8 (264)	3-1/16 (78)	1-1/4 (32)
1-1/2	2	9	6-3/4 (171)	2-5/8 (67)	5-1/2 (140)	6-5/16 (160)	6-9/16 (167)	7-3/8 (187)	10-7/16 (265)	3 (76)	1-3/16 (30)
PUMPS WITH AM. STD. 125 LB. FLANGED CONNECTIONS											
2	2-1/2	7	5-5/8 (143)	1-7/8 (48)	4-9/16 (116)	5-3/8 (136)	5-13/16 (148)	6-13/16 (173)	9-7/8 (251)	3-9/16 (90)	1-3/4 (44)
2	2-1/2	9	7 (178)	1-7/8 (48)	5-11/16 (144)	6-1/2 (165)	6-7/8 (175)	6-3/4 (171)	9-13/16 (249)	3-5/8 (92)	1-13/16 (46)
2-1/2	3	7	5-7/8 (149)	2 (51)	4-13/16 (122)	5-13/16 (148)	6-1/4 (159)	7-1/16 (179)	10-1/8 (257)	3-5/16 (84)	1-1/2 (38)
2-1/2	3	9	7-1/4 (184)	2 (51)	5-15/16 (151)	6-3/4 (171)	7-1/4 (184)	7 (178)	10-1/16 (256)	3-3/8 (86)	1-9/16 (32)
3	4	9	7-1/2 (190)	2-1/8 (54)	6-1/8 (156)	6-7/8 (175)	7-7/16 (189)	7-1/4 (184)	10-5/16 (262)	3-1/8 (80)	1-5/16 (33)
4	4	7	6-1/2 (165)	2-1/2 (63)	5-1/2 (140)	6-7/16 (163)	7-5/16 (186)	7-15/16 (202)	11 (279)	2-7/16 (62)	5/8 (16)

JM OR JP	
FRAME	AG
143	10 (254)
145	11 (279)
182	11 (279)
184	12 (305)

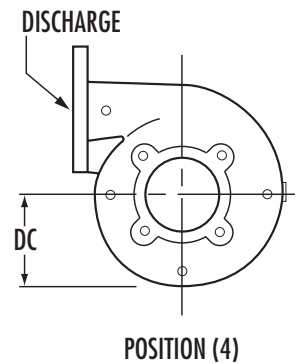
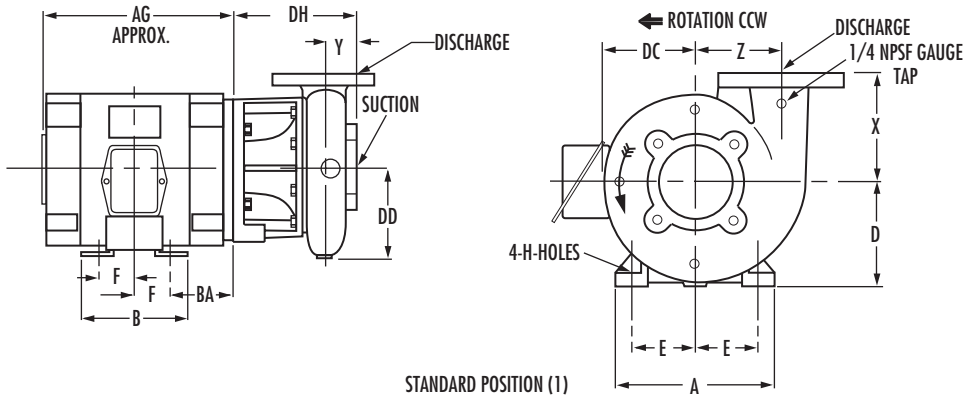
NOTES:

- All dimensions in inches and (mm).
  - Dimensions may vary ± 1/4 (6).
  - Not for construction purposes unless certified.
  - Conduit box is shown in approximate location. Dimensions are not specified as they vary with each motor manufacturer.
- \* 10-3/4 (159) for 9 (229) case bore pumps (Model 341A only).

# AURORA® MODEL 341A

5X6X12, 6X6X12  
 364TCZ FRAME

Supersedes Section 340/360 Page 204  
 Dated October 2003



**ALL PUMPS 125 LB FLANGE CONNECTIONS**

PUMP SIZE	X	Y	Z	DC	DD	DH
5X6X12	9.00 (229)	2.88 (73)	8.31 (211)	9.25 (235)	10.13 (257)	12.50 (318)
6X6X12B	9.25 (235)	3.13 (80)	8.69 (221)	9.69 (246)	11.25 (286)	14.25 (362)

MOTOR FRAME	364TCZ	365TCZ
A	18.00 (457)	18.00 (457)
B	14.75 (375)	15.75 (400)
D	9.00 (229)	9.00 (229)
E	7.00 (178)	7.00 (178)
F	5.63 (143)	6.13 (156)
H	0.66 (17)	0.66 (17)
AG approx.	26 (660)	28 (711)
BA	5.88 (149)	5.88 (149)

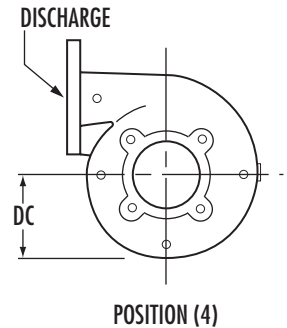
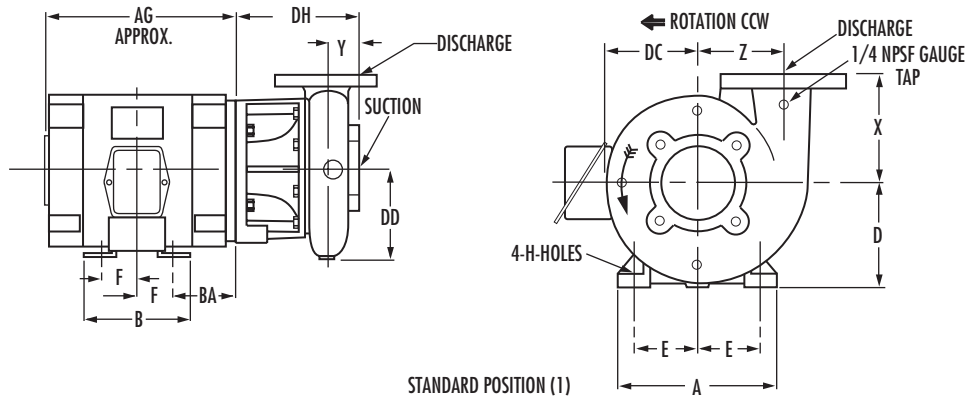
NOTES:

1. All dimensions in inches (mm), weight in pounds (KG).
2. Dimensions may vary  $\pm 1/4"$  (6).
3. Not for construction purposes unless certified.
4. Conduit box is not specified as they vary with each motor manufacturer.

# AURORA® MODEL 341A & 361A PUMPS

## JM & JP MOTOR FRAMES

### 213 THROUGH 326



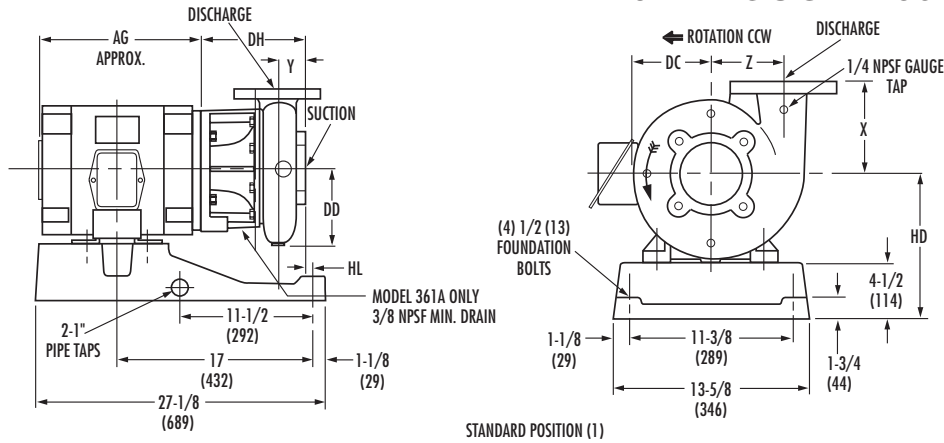
PUMPS WITH THREADED CONNECTIONS								DH			
DISCHARGE	SUCTION	CASE BORE	X	Y	Z	DC	DD	341A		361A	
								213JM 215JM	254JM 256JM	284JM 326JM	213JP- 326JP
1-1/4	1-1/2	7	5-1/4 (133)	2-7/16 (62)	4-3/16 (106)	4-15/16 (125)	5-3/16 (132)	7-3/16 (183)	N/A	N/A	N/A
1-1/4	1-1/2	9	6-5/8 (168)	2-9/16 (65)	5-3/8 (136)	6-3/16 (157)	6-3/8 (162)	7-1/4 (184)	N/A	N/A	N/A
1-1/2	2	7	5-3/8 (136)	2-1/2 (63)	4-5/16 (109)	5-1/8 (130)	5-3/8 (136)	7-5/16 (186)	N/A	N/A	N/A
1-1/2	2	9	6-3/4 (171)	2-5/8 (67)	5-1/2 (140)	6-5/16 (160)	6-9/16 (167)	7-3/8 (187)	8-3/8 (213)	8-3/8 (213)	11-1/4 (286)
1-1/2	2	11	9 (229)	2-13/16 (71)	6-1/8 (156)	7-1/16 (179)	7-1/4 (184)	7-9/16 (192)	8-9/16 (217)	8-9/16 (217)	11-7/16 (290)
1-1/2	2	12	7-3/4 (197)	2-3/4 (70)	7-1/16 (179)	8 (203)	8-1/4 (210)	7-5/8 (194)	8-5/8 (219)	N/A	11-1/2 (292)
PUMPS WITH ANSI 125 LB. FLANGED CONNECTIONS											
2	2-1/2	7	5-5/8 (143)	1-7/8 (48)	4-9/16 (116)	5-3/8 (136)	5-13/16 (148)	6-13/16 (173)	7-13/16 (198)	N/A	10-11/16 (271)
2	2-1/2	9	7 (178)	1-7/8 (48)	5-11/16 (144)	6-1/2 (165)	6-7/8 (175)	6-3/4 (171)	7-3/4 (197)	7-3/4 (197)	10-5/8 (270)
2	2-1/2	12	8 (203)	1-7/8 (48)	7-3/16 (183)	8-3/16 (208)	8-1/2 (216)	6-7/8 (175)	7-7/8 (200)	N/A	10-3/4 (273)
2	3	11	8 (203)	2-3/8 (60)	6-1/2 (165)	7 (178)	7-3/8 (187)	7-1/2 (190)	8-1/2 (216)	8-1/2 (216)	11-3/8 (289)
2-1/2	3	7	5-7/8 (149)	2 (51)	4-13/16 (122)	5-13/16 (148)	6-1/4 (159)	7-1/16 (179)	8-1/16 (205)	N/A	10-15/16 (278)
2-1/2	3	9	7-1/4 (184)	2 (51)	5-15/16 (151)	6-3/4 (163)	7-1/4 (184)	7 (178)	8 (203)	8 (203)	10-7/8 (276)
2-1/2	3	12	8-1/4 (210)	2 (51)	7-3/8 (187)	8-3/8 (213)	8-3/4 (213)	7-1/8 (181)	8-1/8 (206)	8-1/8 (206)	11 (279)
3	4	9	7-1/2 (190)	2-1/8 (54)	6-1/8 (156)	6-7/8 (175)	7-7/16 (189)	7-1/4 (184)	8-1/4 (210)	8-1/4 (210)	11-1/8 (283)
3	4	11	9 (229)	2-3/4 (70)	7 (179)	7-9/16 (192)	8-3/16 (208)	8-3/16 (208)	9-3/16 (233)	9-3/16 (233)	12-1/16 (306)
3	4	12	8-1/2 (216)	2-1/8 (54)	7-9/16 (192)	8-7/16 (214)	8-15/16 (227)	7-5/8 (194)	8-5/8 (219)	8-5/8 (219)	11-1/4 (286)
4	4	7	6-1/2 (165)	2-1/2 (63)	5-1/2 (140)	6-7/16 (163)	7-5/16 (186)	7-15/16 (202)	8-15/16 (227)	8-15/16 (227)	11-13/16 (300)
4	5	9A	7-1/4 (184)	3-1/8 (79)	5-3/4 (146)	6-11/16 (170)	7-3/8 (187)	8-3/8 (213)	9-3/8 (238)	9-3/8 (238)	12-1/4 (311)
4	5	9B	7-3/4 (197)	2-5/8 (67)	6-5/8 (168)	8-1/16 (205)	8-11/16 (221)	8 (203)	9 (229)	N/A	11-7/8 (302)
4	5	11	9 (229)	3 (76)	7-1/4 (184)	7-15/16 (202)	8-11/16 (221)	8-5/8 (219)	9-5/8 (244)	9-5/8 (244)	12-1/2 (317)
4	5	12	8-3/4 (222)	2-5/8 (67)	7-15/16 (202)	8-7/8 (225)	9-9/16 (243)	N/A	9-3/8 (238)	9-3/8 (238)	12 (305)
5	6	11	9 (229)	3-1/8 (79)	8-1/16 (205)	8-11/16 (221)	10-1/8 (257)	9-1/8 (232)	10-1/8 (257)	10-1/8 (259)	13 (330)
5	6	12	9 (229)	2-7/8 (73)	8-5/16 (211)	9-1/4 (235)	10-1/8 (257)	N/A	9-7/8 (251)	9-7/8 (251)	12-1/2 (317)
6	6	9	8-1/4 (210)	2-3/4 (70)	7 (178)	8 (203)	9 (229)	8-1/4 (210)	9-1/4 (235)	N/A	12-1/8 (308)
6	6	11	9-1/4 (235)	3-1/8 (79)	8-11/16 (221)	9-11/16 (246)	11-1/4 (286)	9-7/8 (251)	10-3/8 (264)	10-3/8 (264)	13 (330)
6	6	12	9-1/4 (235)	3-1/8 (79)	8-11/16 (221)	9-11/16 (246)	11-1/4 (286)	N/A	10-3/8 (264)	10-3/8 (264)	13 (330)

NOTES:

1. All dimensions in inches and (mm).
2. Dimensions may vary ± 1/4 (6).
3. Not for construction purposes unless certified.
4. N/A = Not Applicable.
5. Check discharge position, casing dimensions which exceed dimension "D" may require pads for the motor.
6. Conduit box is shown in approximate location. Dimensions are not specified as they vary with each motor manufacturer.

### JM OR JP MOTOR FRAMES

FRAME	213	215	254	256	284	286	324	326
A	10-1/2 (267)	10-1/2 (267)	12-1/2 (317)	12-1/2 (317)	14 (356)	14 (356)	16 (406)	16 (406)
B	7-1/2 (190)	9 (229)	10-3/4 (273)	12-1/2 (317)	12-1/2 (317)	14 (356)	14 (356)	15-1/2 (394)
D	5-1/4 (133)	5-1/4 (133)	6-1/4 (159)	6-1/4 (159)	7 (178)	7 (178)	8 (203)	8 (203)
E	4-1/4 (108)	4-1/4 (108)	5 (127)	5 (127)	5-1/2 (140)	5-1/2 (140)	6-1/4 (159)	6-1/4 (159)
F	2-3/4 (70)	3-1/2 (89)	4-1/8 (111)	5 (127)	5-1/2 (140)	5-1/2 (140)	5-1/2 (140)	6 (152)
H	13/32 (10)	13/32 (10)	17/32 (13)	17/32 (13)	17/32 (13)	17/32 (13)	21/32 (16)	21/32 (16)
AG APPROX.	14 (356)	15 (381)	17-1/2 (444)	19 (483)	19 (483)	21 (533)	22 (559)	23 (584)
BA	4-1/2 (114)	4-1/2 (114)	5 (127)	5 (127)	5 (127)	5 (127)	5-1/2 (140)	5-1/2 (140)



JM OR JP

FRAME	AG
213	14 (355)
215	15 (381)
254	17 (431)
256	19 (355)

PUMPS WITH THREADED CONNECTIONS										DH			HD		HL		
DISCHARGE	SUCTION	CASE BORE	X	Y	Z	DC	DD	341A			361A		341A			361A	
								213JM	254JM	213JP-	213	254	213JM	254JM	213JP		
								215JM	256JM	256JP	215	256	215JM	256JM	256JP		
1 1/4	1 1/2	7	5-1/4 (133)	2-7/16 (62)	4-3/16 (106)	4-15/16 (125)	5-3/16 (132)	7-3/16 (183)	N/A	N/A	9-3/4* (248)	N/A	1-15/16 (49)	N/A	N/A		
1-1/4	1-1/2	9	6-5/8 (168)	2-9/16 (65)	5-3/8 (137)	6-3/16 (157)	6-3/8 (162)	7-1/4 (184)	N/A	N/A	9-3/4* (248)	N/A	1-7/8 (48)	N/A	N/A		
1-1/2	2	7	5-3/8 (137)	2-1/2 (64)	4-5/16 (110)	5-1/8 (130)	5-3/8 (137)	7-5/16 (186)	N/A	N/A	9-3/4* (248)	N/A	1-13/16 (46)	N/A	N/A		
1-1/2	2	9	6-3/4 (171)	2-5/8 (67)	5-1/2 (140)	6-5/16 (160)	6-9/16 (167)	7-3/8 (187)	8-3/8 (213)	11-1/4 (286)	9-3/4 (248)	10-3/4 (273)	1-3/4 (44)	3/4 (19)	2-1/8 (54)		
1-1/2	2	11	9 (229)	2-13/16 (71)	6-1/8 (156)	7-1/16 (179)	7-1/4 (184)	7-9/16 (192)	N/A	11-7/16 (291)	9-3/4 (248)	N/A	1-1/2 (38)	N/A	2-3/8 (60)		
1-1/2	2	12	7-3/4 (197)	2-3/4 (70)	7-1/16 (179)	8 (203)	8-1/4 (210)	7-5/8 (194)	8-5/8 (219)	11-1/2 (292)	10-1/2 (267)	10-3/4 (273)	1-1/2 (38)	1/2 (13)	2-3/8 (60)		
PUMPS WITH ANSI-125-LB.-FLANGED CONNECTIONS																	
2	2-1/2	7	5-5/8 (143)	1-7/8 (48)	4-9/16 (116)	5-3/8 (137)	5-13/16 (148)	6-13/16 (173)	7-13/16 (271)	10-11/16 (271)	9-3/4 (248)	10-3/4 (273)	2-5/16 (59)	1-5/16 (33)	1-9/16 (40)		
2	2-1/2	9	7 (178)	1-7/8 (48)	5-11/16 (144)	6-1/2 (165)	6-7/8 (175)	6-3/4 (171)	7-3/4 (197)	10-5/8 (270)	9-3/4 (248)	10-3/4 (273)	2-3/8 (60)	1-3/8 (35)	1-1/2 (38)		
2	2-1/2	12	8 (203)	1-7/8 (48)	7-3/16 (183)	8-3/16 (208)	8-1/2 (216)	6-7/8 (175)	7-7/8 (200)	10-3/4 (273)	10-1/2 (267)	10-3/4 (273)	2-1/4 (57)	1-1/4 (32)	1-5/8 (41)		
2	3	11	8 (203)	2-3/8 (60)	6-1/2 (165)	7 (178)	7-3/8 (187)	7-1/2 (191)	8-1/2 (216)	11-3/8 (289)	9-3/4 (248)	10-3/4 (273)	1-1/2 (38)	1/2 (13)	2-1/16 (52)		
2-1/2	3	7	5-7/8 (149)	2 (51)	4-13/16 (122)	5-13/16 (148)	6-1/4 (159)	7-1/16 (179)	8-1/16 (205)	10-15/16 (278)	9-3/4 (248)	10-3/4 (273)	2-1/16 (52)	1-1/16 (27)	1-13/16 (46)		
2-1/2	3	9	7-1/4 (184)	2 (51)	5-15/16 (151)	6-3/4 (171)	7-1/4 (184)	7 (178)	8 (203)	10-7/8 (276)	9-3/4 (248)	10-3/4 (273)	2-1/8 (54)	1-1/8 (29)	1-3/4 (44)		
2-1/2	3	12	8-1/4 (210)	2 (51)	7-3/8 (187)	8-3/8 (213)	8-3/4 (222)	7-1/8 (181)	8-1/8 (206)	11 (279)	10-1/2 (267)	10-3/4 (273)	2 (51)	1 (25)	1-7/8 (48)		
3	4	9	7-1/2 (191)	2-1/8 (54)	6-1/8 (156)	6-7/8 (175)	7-7/16 (189)	7-1/4 (184)	8-1/4 (210)	11-1/8 (283)	9-3/4 (248)	10-3/4 (273)	1-7/8 (48)	7/8 (22)	2 (51)		
3	4	11	9 (229)	2-3/4 (70)	7 (178)	7-9/16 (192)	8-3/16 (208)	8-3/16 (208)	9-3/16 (233)	12-1/16 (306)	10-1/2 (267)	10-3/4 (273)	13/16 (20)	0	2-3/4 (70)		
3	4	12	8-1/2 (216)	2-1/8 (54)	7-9/16 (192)	8-7/16 (214)	8-15/16 (227)	7-5/8 (194)	8-5/8 (219)	11-1/4 (286)	10-1/2 (267)	10-3/4 (273)	1-3/4 (44)	3/4 (19)	2-1/8 (54)		
4	4	7	6-1/2 (165)	2-1/2 (64)	5-1/2 (140)	6-7/16 (164)	7-5/16 (186)	7-15/16 (202)	8-15/16 (227)	11-13/16 (300)	9-3/4 (248)	10-3/4 (273)	1-3/16 (30)	3/16 (4)	2-11/16 (68)		
4	5	9A	7-1/4 (184)	3-1/8 (79)	5-3/4 (146)	6-11/16 (170)	7-3/8 (187)	8-3/8 (213)	N/A	12-1/4 (311)	9-3/4 (248)	N/A	3/4 (19)	N/A	3-1/8 (79)		
4	5	9B	7-3/4 (197)	2-5/8 (67)	6-5/8 (168)	8-1/16 (205)	8-11/16 (221)	8 (203)	9 (229)	11-7/8 (302)	10-1/2 (267)	10-3/4 (273)	1-1/8 (29)	1/8 (3)	2-3/4 (70)		
4	5	11	9 (229)	3 (76)	7-1/4 (184)	7-15/16 (202)	8-11/16 (221)	8-5/8 (219)	9-5/8 (244)	12-1/2 (318)	11-1/4 (286)	11-1/2 (292)	3/8 (10)	0	3-3/16 (81)		
4	5	12	8-3/4 (222)	2-5/8 (67)	7-15/16 (202)	8-7/8 (225)	9-9/16 (243)	N/A	9-9/8 (238)	12 (305)	N/A	10-3/4 (273)	N/A	0	2-7/8 (73)		
5	6	11	9 (229)	3-1/8 (79)	8-1/16 (205)	8-11/16 (221)	10-1/8 (257)	9-1/8 (232)	10-1/8 (257)	13 (330)	12-1/4 (311)	12-1/4 (311)	0	0	3-11/16 (94)		
6	6	9	8-1/4 (210)	2-3/4 (70)	7 (178)	8 (203)	9 (229)	8-1/4 (210)	9-1/4 (235)	12-1/8 (308)	10-1/2 (267)	10-3/4 (273)	7/8 (22)	0	3 (76)		

NOTES:

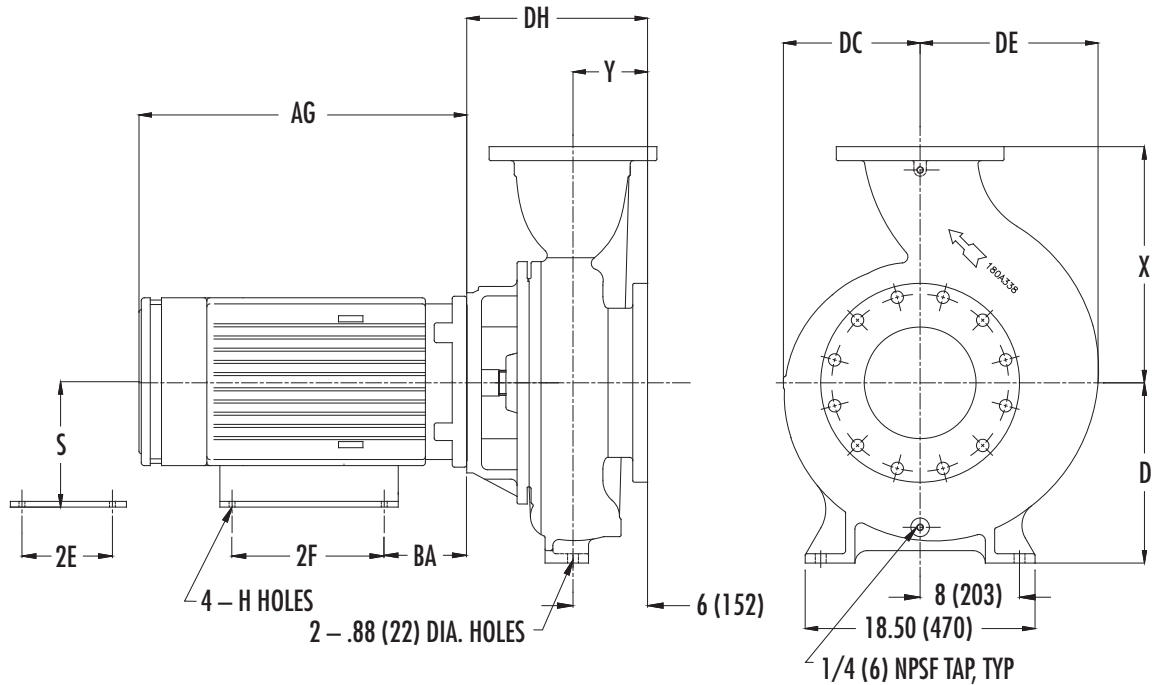
- All dimensions in inches and (mm).
- Dimensions may vary ± 1/4 (6).
- Not for construction purposes unless certified.
- N/A = Not Applicable.
- Conduit box is shown in approximate location. Dimensions are not specified as they vary with each motor manufacturer.

# AURORA® MODEL 341A PUMPS

6X8X15 & 8X10X15  
365TCZ-444TCZ

Section 340/360 Page 209  
Dated June 2013

Supersedes Section 340/360 Page 209  
Dated October 2003



PUMP SIZE										
DISCHARGE	SUCTION	CASE BORE	X	Y	D	DE	DC	DH	PUMP WEIGHT	
6	8	15	18.00 (457)	6.00 (152)	14.50 (368)	12.88 (327)	10.44 (265)	9.56 (243)	365 (166)	
8	10	15	19.00 (483)	6.00 (152)	14.50 (368)	14.38 (365)	11.00 (279)	9.56 (243)	505 (229)	

Motor Frame	364TCZ	365TCZ	404TCZ	405TCZ	444TCZ	445TCZ
BA	5.88 (149)	5.88 (149)	6.62 (168)	6.62 (168)	7.50 (191)	7.50 (191)
2F	11.25 (286)	12.25 (311)	12.25 (311)	13.75 (349)	14.50 (368)	16.50 (419)
2E	14.00 (356)	14.00 (356)	16.00 (406)	16.00 (406)	18.00 (457)	18.00 (457)
S	9.00 (229)	9.00 (229)	10.00 (254)	10.00 (254)	11.00 (279)	11.00 (279)
H	0.66 (17)	0.66 (17)	0.81 (21)	0.81 (21)	0.81 (21)	0.81 (21)
AG approx	31.5 (800)	32.5 (826)	34 (864)	37.5 (953)	43 (1092)	48 (1219)

**NOTES:**

1. ALL DIMENSIONS IN INCHES (MM), WEIGHT IN POUNDS (KG)
2. DIMENSIONS MAY VARY PLUS/MINUS 1/4"
3. NOT FOR CONSTRUCTION PURPOSES UNLESS CERTIFIED.
4. CONDUIT BOX IS NOT SPECIFIED AS THEY VARY WITH EACH MOTOR MANUFACTURER.