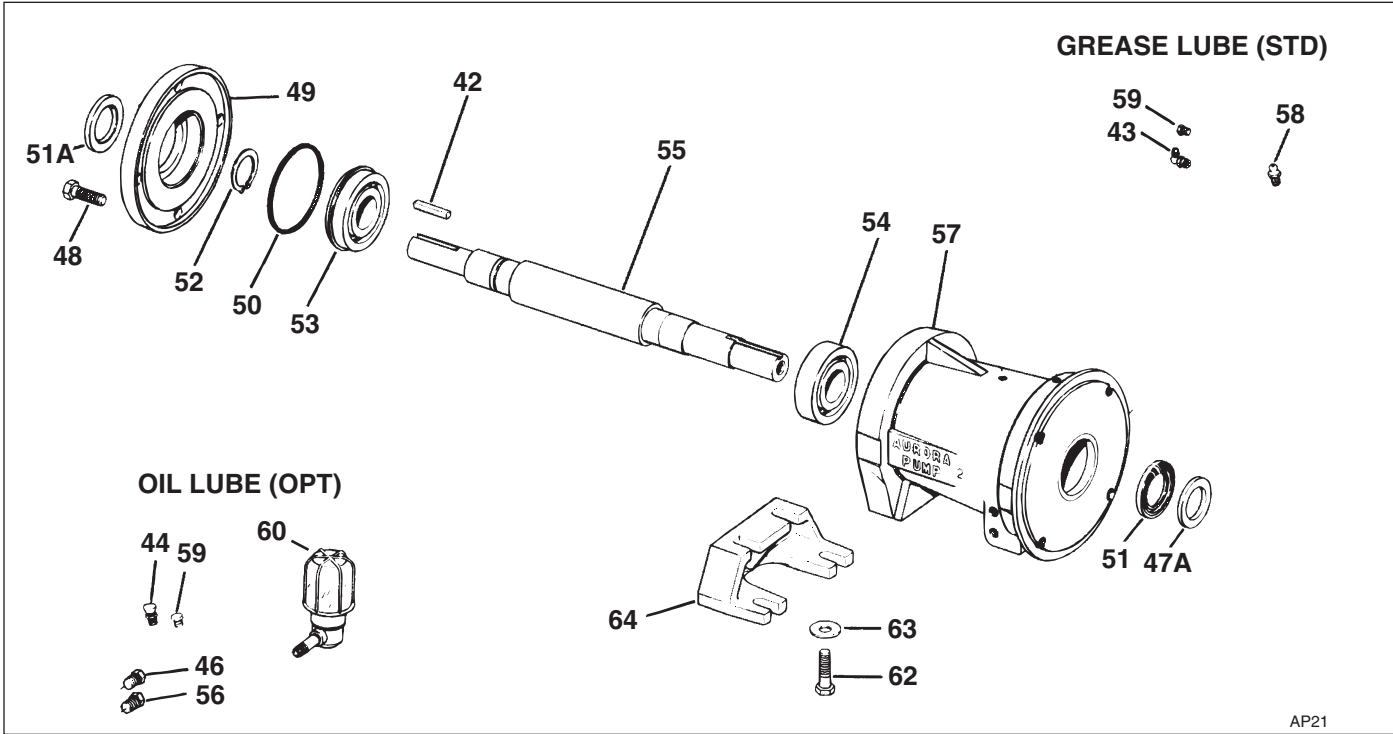
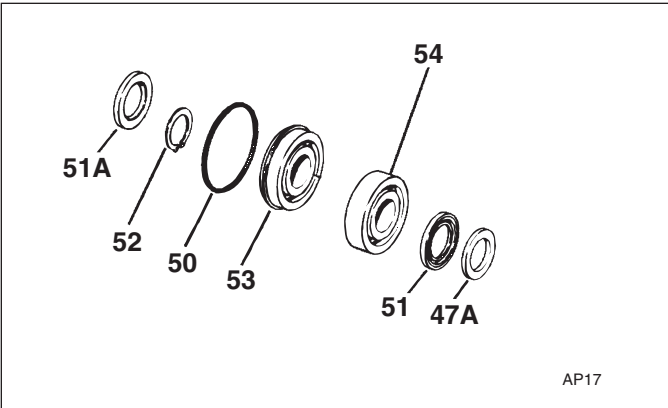


MODEL 344A
POWER FRAME ASSEMBLIES



POWER FRAME REPAIR KIT



Power Frame No.	Kit Number Grease Lube	Kit Number Oil Lube
1	476-0621-644	476-0624-644
2	476-0622-644	476-0625-644
3	476-0623-644	476-0626-644

PARTS INCLUDED IN POWER FRAME REPAIR KIT

PC #	Part Description	Material Code
		644
47A	Slinger	478
50	Gasket	457
51	Seal	653
51A	Seal	653
52	Retaining Ring	088
53	Bearing	647
54	Bearing	647

Pump Size	Assy # Grease Lube	Assy # Oil Lube
Power Frame 1	355-0006----	355-0022----
Power Frame 2	355-0008----	355-0023----
Power Frame 3	355-0009----	355-0024----

PARTS INCLUDED IN POWER FRAME ASSEMBLIES

PC #	Part Description	Material Codes	
		644	646
42	Key	087	087
43	Grease Fitting	651	651
44	Vent Tube	656	656
46	Protector	503	503
47A	Slinger	478	478
48	Capscrew	082	082
49	Bearing Cap	010	010
50	Gasket	457	457
51	Seal	653	653
51A	Seal	653	653
52	Retaining Ring	088	088
53	Bearing	647	647
54	Bearing	647	647
55	Shaft	063	104
56	Protector	503	503
57	Frame	010	010
58	Grease Fitting	651	651
59	Pipe Plug	087	087
60	Oiler Assy	652	652
62	Capscrew	082	082
63	Washer	080	080
64	Support	010	010

For C1045 Steel Shaft, Use Material Code 644.
 For 316 S/S Shaft, Use Material Code 646.